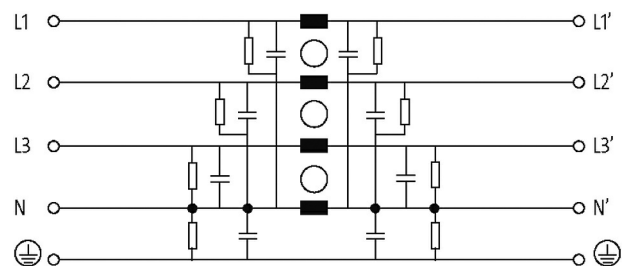
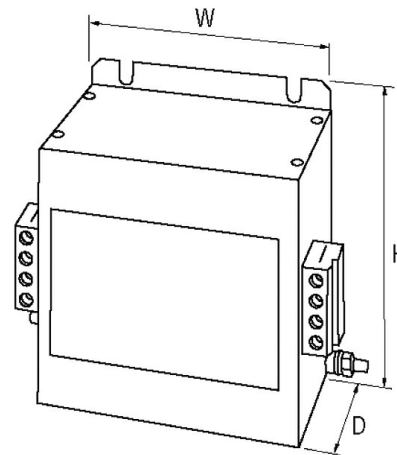


MEF EMC-FILTER 3-PHASE 1-STAGE WITH NEUTRAL

I:18A U:4x500 VAC

: 18 A
(N)





0.2...10 mm² (AWG 24...7); 0.2...6 mm² (AWG 24...9)

max. 3 × 500 V AC

50...60 Hz

max. 15 mA (250 V AC)

18 × (IN t) max. 0.5 ms; 1.5 × (IN t) max. 1 min. (1 × per hour)

H×W×D 153×130×100 mm

25/085/21 (EN 60068-1)

() 3.3 kV (L-N), 2 s; 3.1 kV (L-L), 2 s

3 1 stage (MEF 3/1) & 3 2 stage (MEF 3/2) 0.1...30MHz , , . TN-S, TN-C-S, TT ,
.(100mm). EMC . 3

EAN 4048879029094

eClass 27130806

85363030

IT

1