

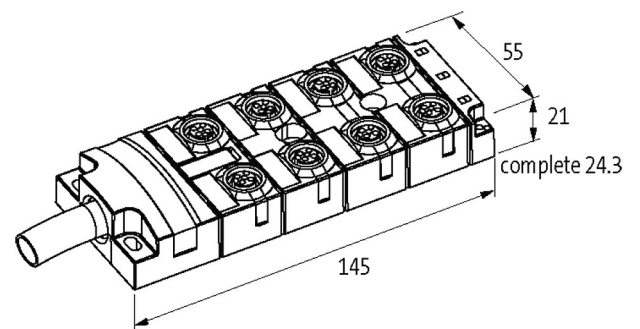
MVP-METALL, 8XM12, 5POLE, PRE-WIRED CABLE

15.0m PUR 16x0,34+5x0,75, UL/CSA

8 vias, 5 polos, DIAGNÓSTICO

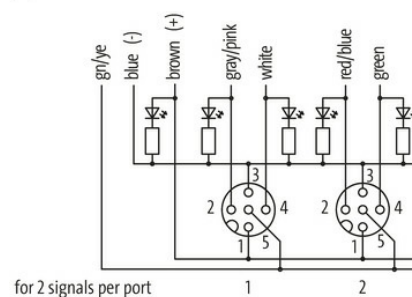
15.0 m

Corrente operacional: 2 A por M12 (fêmea)
 monitoramento eletrônico de corrente integrado com bloqueio
 diagnóstico eletrônico com LED de ERRO
 Outros comprimentos de cabos sob encomenda.

[Link do produto](#)**Ilustração**

M12-Females 5-pole

3 (-) 5 (PE) 4 (N/O) - (S1)
 2 (N/C) - 1 (+)
 (S2)



Produto pode diferir da imagem

Aprovações

Approvals

Mais informações

A informação nesta brochura foram compiladas com o toda a precaução.
 A falta de integridade, exatidão e atualização das informações é considerada negligência grave. versão: 04/21

Bus technologies

General data

Temperature range	-20...+60 °C
Dimensions H×W×D	145×55×21 mm

Technical Data

Operating voltage	24 V DC (EN 61131-2), potential separation 0 V for left/right side
Operating current (contact 3)	max. 2 A (shutoff 2.3...2.7 A)
Current consumption	max. 35 mA
LED display	LED (green): P1 and P2; LED (red): ERROR for optical diagnostics
Locking of ports	Screw thread (M12×1 mm)
Protection	IP65, IP67, IP68 inserted and tightened (EN 60529)
Housing	Zinc die casting, matte nickel plated
Diagnostic output	active high, max. load 25 mA, wire (brown 2)
Required power supply with max. ports	max. 20 A
Inrush capacity	max. 1470 µF
LED display per port	LED (yellow): contact 4 and 2; 2× LED (red): for failure
Unit protection	pulse switching
Total current	max. 10 A

Cables

No./diameter of wires	16× 0.34 + 5× 0.75 mm ²
Wire isolation	TPE (grpk, wh, rdbl, gn, whgn, ye, brgn, gr, whye, pk, yebr, rd, whgr, bk, grbr, vi, br, bl, gnye)
C-track properties	5 Mio.
Outer Ø	11.5 mm ±5%
Cable number	403
Approval (cable)	UL (AWM-Style 20233/10042), CSA; CE conform
Material (wire)	Cu wire, bare
Resistor (core)	max. 57 Ω/km (0.34 mm ²), max. 26 Ω/km (0.75 mm ²); (20 °C)
Single wire Ø (core)	0.1 mm
Diameter (core)	16× 0.34 + 5× 0.75 mm ²
AWG	similar to AWG 22 (0.34 mm ²); similar to AWG 18 (0.75 mm ²)
Material (wire isolation)	TPE-E
Shore hardness (wire isolation)	55 ±5 D
Shield	yes
Shore hardness (jacket)	85 ±5 A
Jacket Color	gray
Nominal voltage	300/500 V AC
Test voltage	2000 V AC
Current load capacity	to DIN VDE 0298-4
Temperature range (fixed)	-40...+90 °C
Temperature range (mobile)	-25...+80 °C
Bend radius (fixed)	5× outer Ø
Bend radius (moving)	10× outer Ø
Bend radius (moving)	10× outer Ø
No. of bending cycles (C-track)	max. 5 Mio. (25 °C)
Travel speed (C-track)	max. 2 m/s
Acceleration (C-track)	max. 5 m/s ²
Material (jacket)	PUR (UL/CSA)

Contact Layout

PIN 1	(+)
PIN 2	(NC)/(S2)
PIN 3	(-)

PIN 4	(NO)/(S1)
PIN 5	(Earth)
LED (green): Power / LED (yellow): (S1/S2) / LED (red): Failure	

Description

Functional description	All M12 ports are current monitored regarding 0 V total current (contact 3), and are switched off in case of overload or short-circuit (self-reseting). Supply voltage of other ports remains the same. In case of a fault the DIAGNOSTIC signal "active high"
------------------------	--

Dados comerciais

Classificação fiscal	85444290
EAN	4048879063463
eClass	27279219
País de origem	CZ
Quantidade por embalagem	1.000