

MICO+ 4.10 electronic circuit protection, 4 CHANNELS

IN: 24 V DC OUT: 24 V DC / 4-6-8-10 A

Art.No.: 9000-41084-0401000

Weight: 0.16

Country of origin: CZ

Model designation: MICO+ 4.10

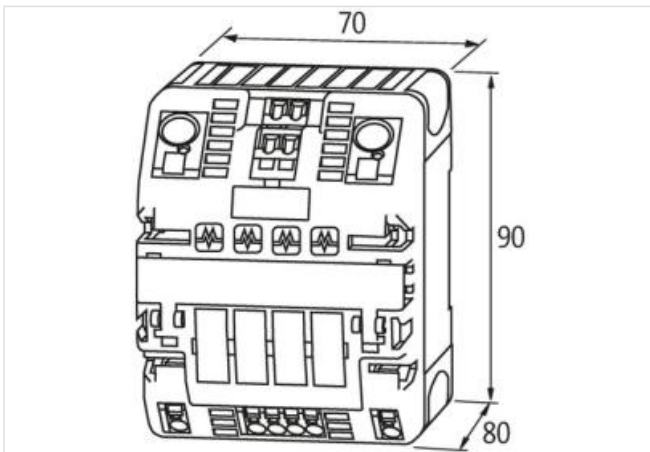
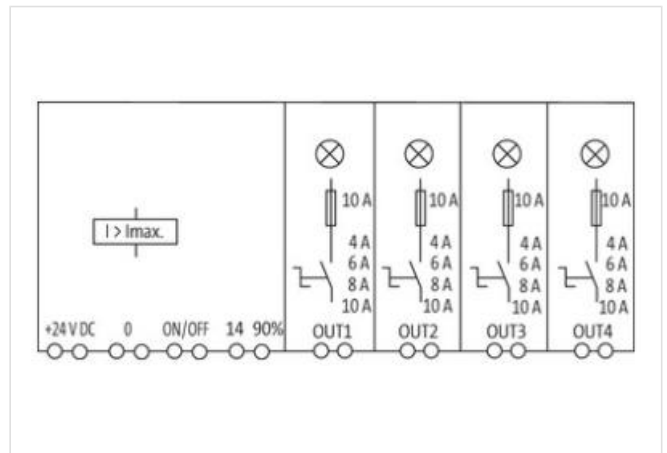
MICO+ 4.10

4 channels

Current adjustment 4, 6, 8, 10 A

[Link to Product](#)

Illustration



Product may differ from Image



Commercial data

| | |
|------------|----------|
| ECLASS-6.0 | 27371802 |
| ECLASS-6.1 | 27371802 |
| ECLASS-7.0 | 27371802 |
| ECLASS-8.0 | 27371802 |

| | |
|-----------------------|---------------|
| ECLASS-9.0 | 27371802 |
| ECLASS-10.1 | 27371802 |
| ECLASS-11.1 | 27371802 |
| ECLASS-12.0 | 27371802 |
| ETIM-5.0 | EC001440 |
| customs tariff number | 85363010 |
| customs tariff number | 85363010 |
| GTIN | 4048879328944 |
| GTIN | 4048879328944 |
| Packaging unit | 1 |
| Packaging unit | 1 |

Electrical data | Input

| | |
|--|-------|
| Input voltage DC | 24 V |
| Input voltage DC min. | 18 V |
| Input voltage DC max. | 30 V |
| ON input voltage control inputs min. | 10 V |
| ON input voltage control inputs max. | 30 V |
| ON pulse length control inputs high min. | 20 ms |
| Total current bridge set max. | 40 A |

Electrical data | Output

| | |
|-------------------------------------|-------|
| Switch-on capacity per channel max. | 20 mF |
| Switching current max. | 20 mA |

Installation

| | |
|--|---------------------|
| Connection cross-section inputs max. | 16 mm ² |
| Connection cross-section outputs max. | 1,5 mm ² |
| Connection cross-section control inputs / control outputs max. | 2,5 mm ² |

Mechanical data | Mounting data

| | |
|----------------------------|--------------------------------|
| Mounting method | geschnappt |
| Suitable for mounting type | Mounting rail TH35, (EN 60715) |
| Height | 90 mm |
| Width | 70 mm |
| Depth | 80 mm |

Environmental characteristics | Climatic

| | |
|----------------------------|--------|
| Operating temperature min. | 0 °C |
| Operating temperature max. | 55 °C |
| Storage temperature min. | -40 °C |
| Storage temperature max. | 80 °C |

Connection type 10

| | |
|--------------------------|------------------|
| Family construction form | Bridging Contact |
| Gender | female |
| Color contact carrier | black |
| No. of poles | 1 |
| PIN 1 | 24 V DC |
| Family construction form | Bridging Contact |
| Gender | female |
| Color contact carrier | black |
| No. of poles | 1 |
| PIN 1 | 0 V |
| Family construction form | Bridging Contact |
| Gender | female |
| Color contact carrier | black |

| | |
|--------------------------|---------------------------|
| No. of poles | 2 |
| PIN 1 | On |
| PIN 2 | Off |
| Connection | Spring clamp terminals FK |
| Family construction form | terminal |
| Gender | female |
| Color contact carrier | green |
| No. of poles | 1 |
| PIN 1 | 24 V DC |
| Connection | Spring clamp terminals FK |
| Family construction form | terminal |
| Gender | female |
| Color contact carrier | green |
| No. of poles | 1 |
| PIN 1 | 0 V |
| Connection | Spring clamp terminals FK |
| Family construction form | terminal |
| Gender | female |
| Color contact carrier | green |
| No. of poles | 2 |
| PIN 1 | Out 1 |
| PIN 2 | Out 1 |
| Connection | Spring clamp terminals FK |
| Family construction form | terminal |
| Gender | female |
| Color contact carrier | green |
| No. of poles | 2 |
| PIN 1 | Out 2 |
| PIN 2 | Out 2 |
| Connection | Spring clamp terminals FK |
| Family construction form | terminal |
| Gender | female |
| Color contact carrier | green |
| No. of poles | 2 |
| PIN 1 | Out 3 |
| PIN 2 | Out 3 |
| Connection | Spring clamp terminals FK |
| Family construction form | terminal |
| Gender | female |
| Color contact carrier | green |
| No. of poles | 2 |
| PIN 1 | Out 4 |
| PIN 2 | Out 4 |
| Connection | Spring clamp terminals FK |
| Family construction form | terminal |
| Gender | female |
| Color contact carrier | green |
| No. of poles | 4 |
| PIN 1 | On |
| PIN 2 | Off |
| PIN 3 | 14 |
| PIN 4 | 0.9 |