

PRE-WIRED CAP FOR EXACT8, 6XM8, 4-POL

10.0m PUR/PVC 12x0.34+2x0,75

for 6-way distribution box, 4-pole

Further cable lengths on request.

Plastic housings with good resistance against chemicals and oils.

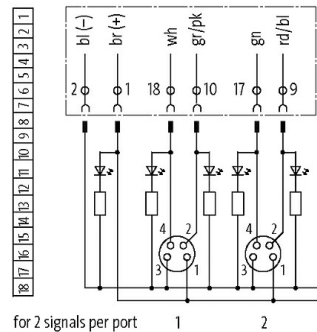
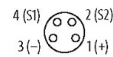
The resistance to aggressive media should be individually tested for your application. Further details on request.

PUR/PVC

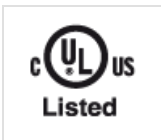
10.0 m

[Link to Product](#)**Illustration**

M8-Females 4-pole



Product may differ from Image

Approvals**Technical Data**

| | |
|---------------|--------------------------|
| Housing | Plastic, flame retardant |
| Total current | max. 8 A |

General data

| | |
|-------------------|--|
| Temperature range | -20...+80 °C, depending on cable quality |
|-------------------|--|

Cables

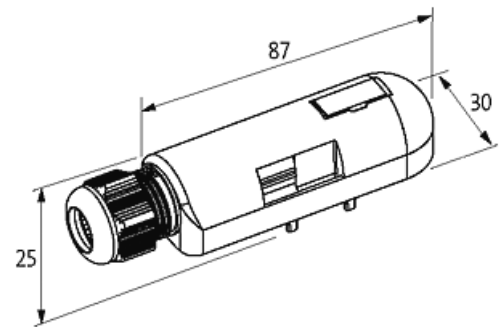
| | |
|-----------------------|------------------------------------|
| Cable number | 386 |
| No./diameter of wires | 12x 0.34 + 2x 0.75 mm ² |
| Wire isolation | PVC |

| | |
|----------------------------|--------------|
| C-track properties | 1.5 Mio. |
| Jacket Color | gray |
| Material (jacket) | PUR/PVC |
| Outer Ø | 8.8 mm ±5% |
| Bend radius (fixed) | 10× outer Ø |
| Bend radius (moving) | 12× outer Ø |
| Temperature range (fixed) | -30...+70 °C |
| Temperature range (mobile) | -5...+60 °C |
| Color (jacket) | gray |

Commercial data

| | |
|-----------------------|---------------|
| country of origin | CZ |
| customs tariff number | 85444290 |
| EAN | 4048879298438 |
| eClass | 27143423 |
| Packaging unit | 1 |

Sketch



Product may differ from Image