

**Push Pull RJ45 male 0° IDC**

8-pol., AWG23-22, 5,5 - 10mm, shielded, CAT6A

Art.No.: 7000-99581-0000000

Weight: 0.089 kg

Country of origin: PL

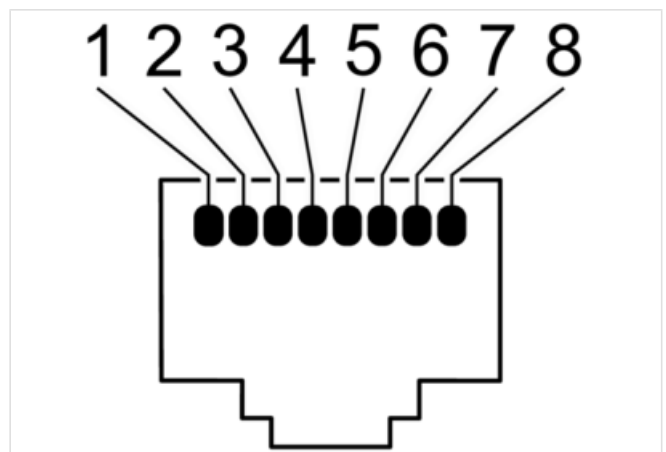
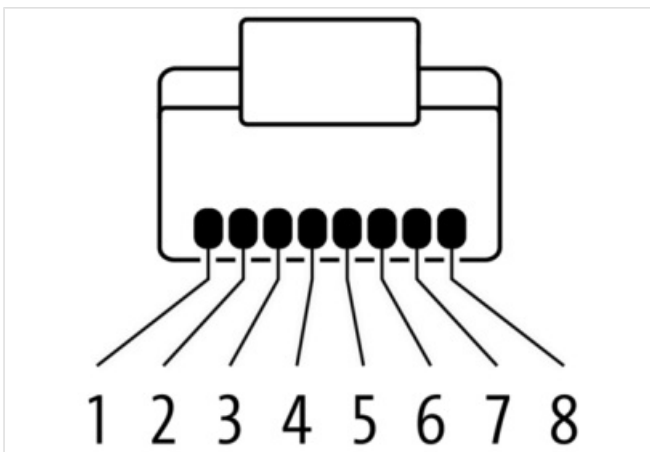
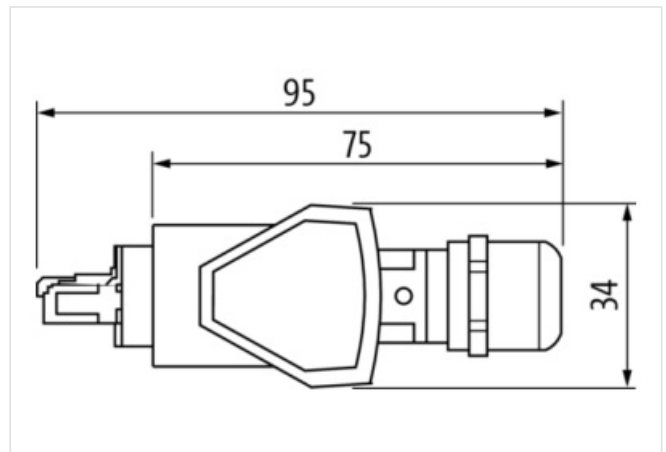
Model designation: Push Pull RJ45 St.8pol. selbstanschl.IDC

Push Pull RJ45 male - IDC terminal

IDC fast connection technology

Ethernet CAT6A

Shielded

[Link to Product](#)**Illustration**

Product may differ from Image

**Side 1**

Family construction form	RJ45
No. of poles	8
Gender	male

Mounting method	pluggable
Material contact	Bronze
Degree of protection (EN IEC 60529)	IP20

**Side 2**

Mounting method	Field-wireable
-----------------	----------------

**Commercial data**

URL Webshop	<a href="https://shop.murrelektronik.com/7000-99581-0000000">https://shop.murrelektronik.com/7000-99581-0000000</a>
GTIN	4065909027226
Customs tariff number	85366990
ECLASS-6.0	27279221
ECLASS-6.1	27260703
ECLASS-7.0	2744010
ECLASS-7.1	2744010
ECLASS-8.0	2744010
ECLASS-8.1	2744010
ECLASS-9.0	27440114
ECLASS-10.1	2744010
ECLASS-11.1	2744010
ECLASS-12.0	27440114
ETIM-5.0	EC002635
ETIM-6.0	EC002635
ETIM-7.0	EC002635
ETIM-8.0	EC002635
customs tariff number	85366990
EAN	4065909027226
Packaging unit	1

**Electrical data | Supply**

Operating current max.	1,75 A
Operating voltage AC (UL-listed)	56,5 V
Operating voltage DC (UL-listed)	56,5 V

**Industrial Communication**

Data transmission rate max.	10 Gbit/s
Transfer parameters	CAT6A

**Installation | Connection**

Connection	Cut clamps IDC
Tightening torque	2,5 Nm

**Device protection**

Shielded	Yes
----------	-----

**Device protection | Electrical**

Degree of protection (EN IEC 60529)	IP20
Additional condition protection degree	inserted, screwed
Pollution Degree	2
Overvoltage category (EN 60950-1)	I
Insulation resistance min.	500 mΩ

**Mechanical data | Material data**

Material contact carrier	PC
Coating contact	nickel plated
Locking material	Copper alloy
Gasket	NBR
Combustibility class (UL94)	V-0

**Mechanical data | Mounting data**

Clamping range min.	6 mm
---------------------	------

Clamping range max.	10 mm
---------------------	-------

#### Environmental characteristics | Climatic

Operating temperature min.	-40 °C
----------------------------	--------

Operating temperature max.	70 °C
----------------------------	-------

#### Important installation notes

Note on bending radius	<b>Attention:</b> Observe the permissible bending radii when laying cables, as the IP protection class can be endangered by excessive bending forces.
------------------------	---

Note on strain relief	Protect the connectors by suitable measures from mechanical loads, e.g. by the usage of cable ties.
-----------------------	---

#### Conformity

Product standard	IEC 61076-3-117
------------------	-----------------