

Push Pull RJ45 male 0° IDC4-pol., 0,14 - 0,34mm², 4,5 - 11mm, shielded, CAT5

Art.No.: 7000-74041-0000000

Weight: 0.094

Country of origin: RO

Model designation: PushPull RJ45 Ste.ger.4pol. gesch

PROFINET

Male straight

RJ45PP, 4-pole

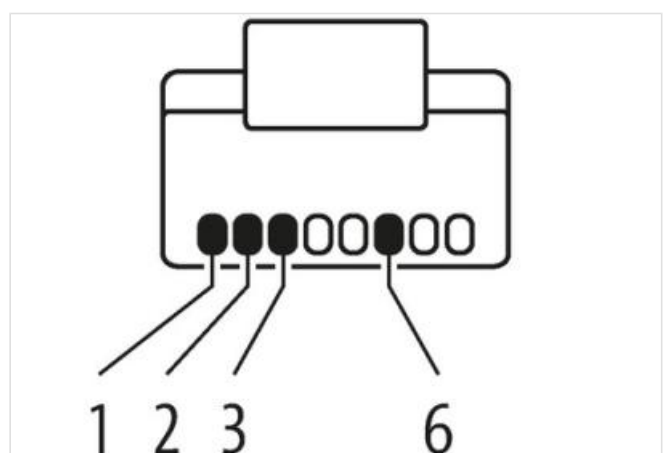
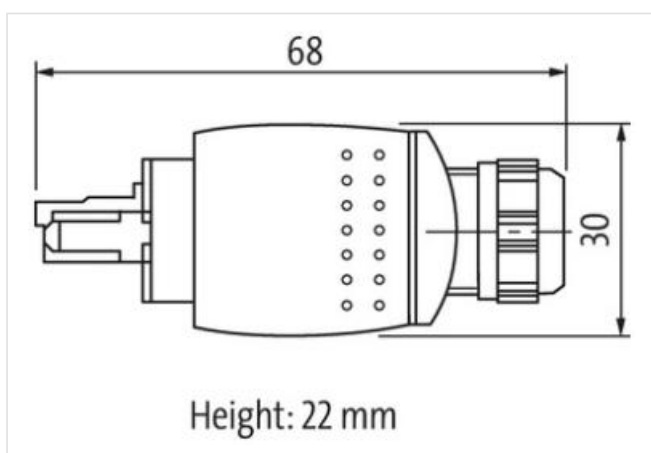
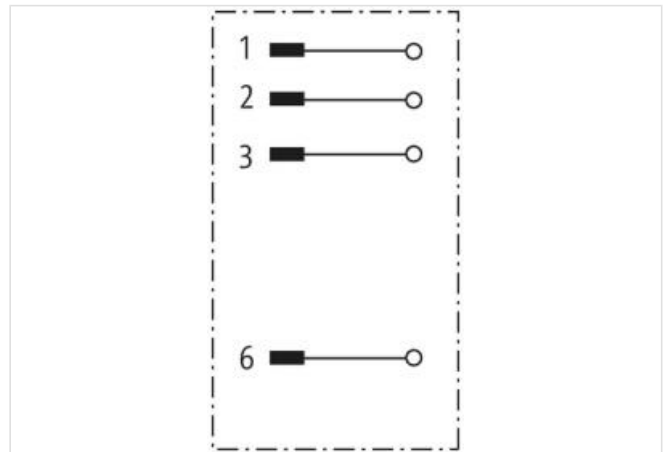
IDC terminals

Connection cross section: 0.14...0.34 mm²

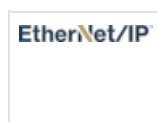
Push Pull

Plastic housings with good resistance against chemicals and oils.

The resistance to aggressive media should be individually tested for your application. Further details on request.

[Link to Product](#)**Illustration**

Product may differ from Image

**Side 1**

The information in this Product-PDF has been compiled with the utmost care.

Liability for the correctness completeness and topicality of the information is restricted to gross negligence. Version: 2025-04-30

Murrelektronik GmbH | Grabenstraße 29 | 71570 Oppenweiler | Fon +49 (71 91) 47-0 | Fax +49 (71 91) 47-491000 | shop@murrelektronik.com | shop.murrelektronik.com

Family construction form	RJ45
Commercial data	
ECLASS-6.0	27279221
ECLASS-6.1	27260703
ECLASS-7.0	2744010
ECLASS-8.0	2744010
ECLASS-9.0	27440114
ECLASS-10.1	2744010
ECLASS-11.1	2744010
ECLASS-12.0	27440114
ETIM-5.0	EC002635
customs tariff number	85366990
customs tariff number	85366990
GTIN	4048879363372
GTIN	4048879363372
Packaging unit	1
Packaging unit	1
Electrical data Supply	
Operating voltage DC max.	60 V
Current operating per contact max.	2 A
Industrial communication	
Transfer parameters	CAT5, Class D (ISO/IEC 11801:2002), (EN 50173-1)
Data transmission rate max.	100 MBit/s
Industrial communication Ethernet functionality	
duplex	Full duplex
Installation	
Connection cross section min.	0,14 mm ²
Connection cross section max.	0,34 mm ²
AWG number min.	26
AWG number max.	22
Device protection Electrical	
Degree of protection (EN IEC 60529)	IP65, IP67
Additional condition protection degree	inserted, screwed
Mechanical data Mounting data	
Clamping range min.	4 mm
Clamping range max.	11 mm
Environmental characteristics Climatic	
Operating temperature min.	-40 °C
Operating temperature max.	70 °C
Important installation notes	
Note on strain relief	Protect the connectors by suitable measures from mechanical loads, e.g. by the usage of cable ties.
Note on bending radius	Attention: Observe the permissible bending radii when laying cables, as the IP protection class can be endangered by excessive bending forces.
Conformity	
Product standard	IEC 61076-3-117 V.14