

M12-PANEL FEED THROUGH A-CODED

Art.No.: 7000-42111-0000000

Weight: 0.034

Country of origin: CZ

Model designation: MSBSV-A-U

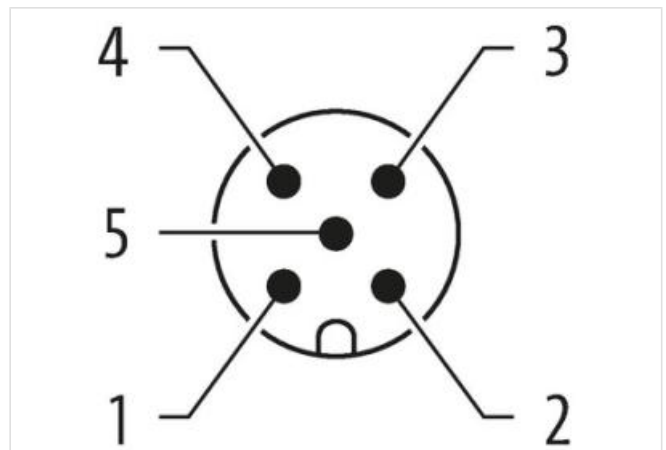
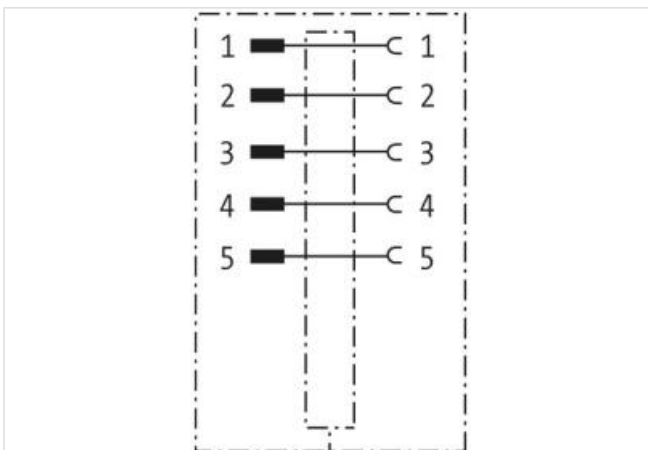
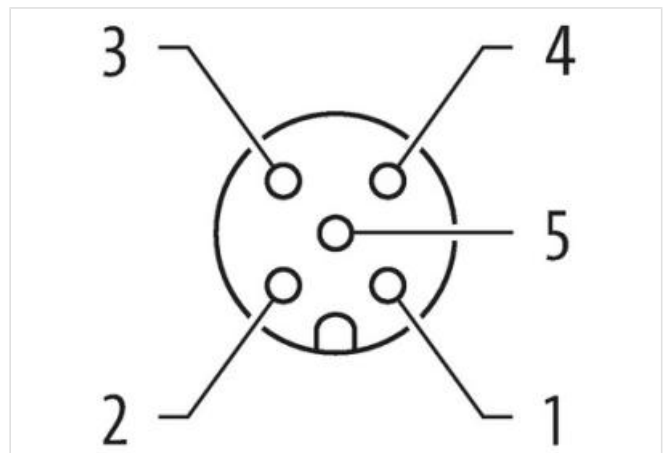
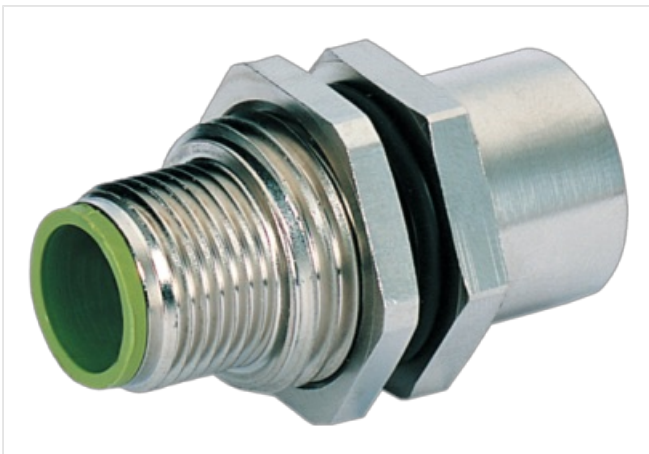
Control cabinet entry system

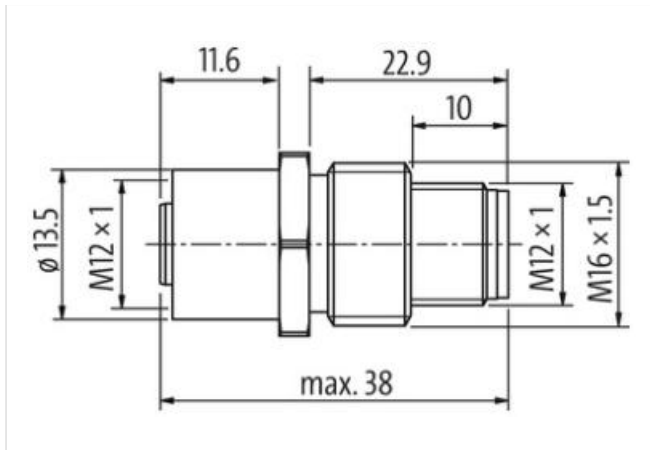
Male - female

M12, 5-pole

A-coded

shielded

[Link to Product](#)**Illustration**



Product may differ from Image

**Side 1**

Family construction form	M12
Coding	A

Side 2

Family construction form	M12
Coding	A

Commercial data

ECLASS-6.0	27143423
ECLASS-6.1	27279220
ECLASS-7.0	27440103
ECLASS-8.0	27440103
ECLASS-9.0	27440109
ECLASS-10.1	27440109
ECLASS-11.1	27440109
ECLASS-12.0	27440109
ETIM-5.0	EC001855
customs tariff number	85366990
customs tariff number	85366990
GTIN	4048879143233
GTIN	4048879143233
Packaging unit	1
Packaging unit	1

Electrical data | Supply

Operating voltage AC max.	60 V
Operating voltage DC max.	60 V
Operating voltage AC (UL-listed)	30 V
Operating voltage DC (UL-listed)	30 V
Current operating per contact max.	4 A

Installation | Connection

Tightening torque	0,6 Nm
Mounting set	M16 x 1.5

Device protection | Electrical

Degree of protection (EN IEC 60529)	IP65, IP67
Protection NEMA	3, 4, 6P
Additional condition protection degree	inserted, screwed
Pollution Degree	2
Rated surge voltage	1,5 kV
Material group (IEC 60664-1)	I

Mechanical data | Material data

Material housing	Brass
Coating housing	nickel plated

Mechanical data | Mounting data

Mounting method	inserted, screwed, Shaking protection
-----------------	---------------------------------------

Environmental characteristics | Climatic

Operating temperature min.	-25 °C
Operating temperature max.	85 °C

Important installation notes

Note on strain relief	Protect the connectors by suitable measures from mechanical loads, e.g. by the usage of cable ties.
Note on bending radius	Attention: Observe the permissible bending radii when laying cables, as the IP protection class can be endangered by excessive bending forces.

Approvals

UL 50E	yes
--------	-----