

### M12 male 0° A-cod. / MSUD valve plug BI-11mm

PUR 3x0.75 bk UL/CSA 1.5m

Art.No.: 7000-40961-6260150

Weight: 0.120 kg

Country of origin: CZ

Model designation: MSLL3-A-W626\_1.5

#### MSUD

Form BI (11 mm) – M12, male straight

24 V AC  $\pm 20\%$  / DC  $\pm 25\%$

LED and suppression

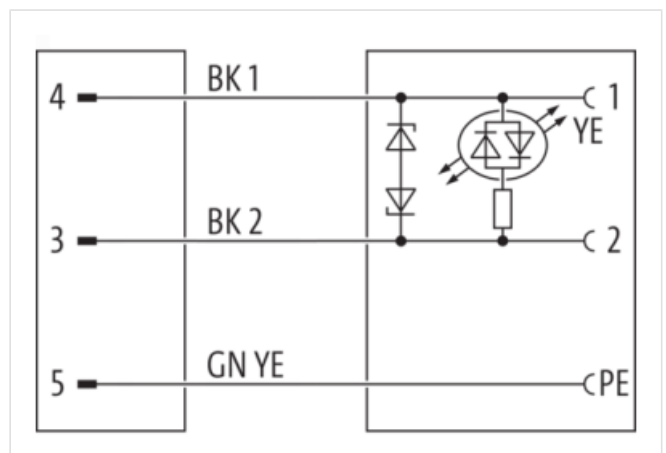
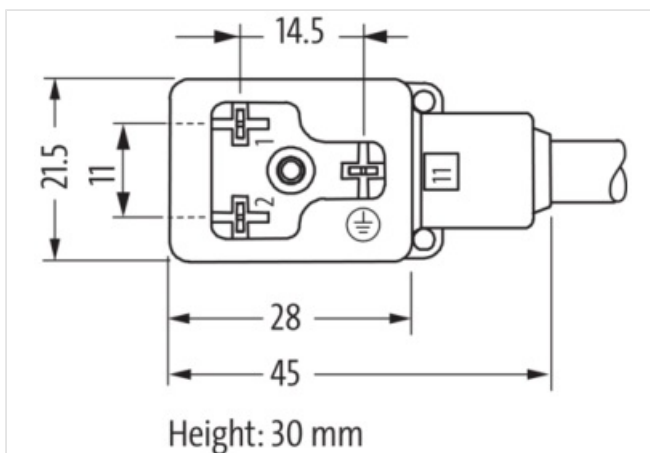
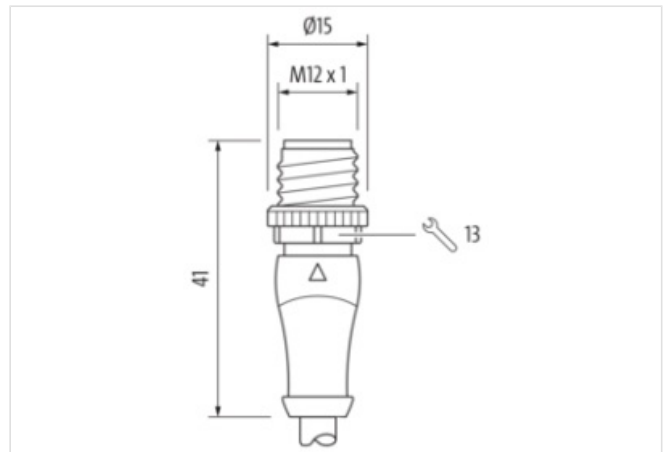
Further cable lengths on request.

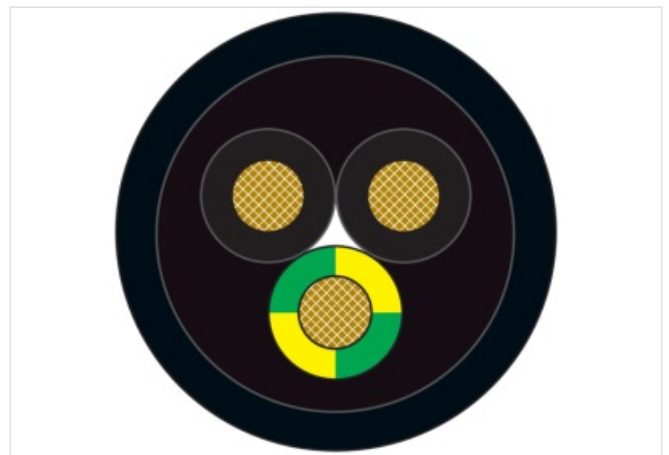
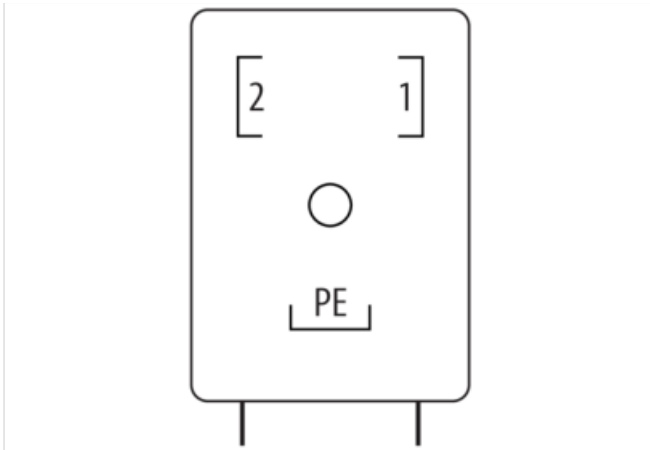
Plastic housings with good resistance against chemicals and oils.

The resistance to aggressive media should be individually tested for your application. Further details on request.

#### [Link to Product](#)

##### Illustration





Product may differ from Image



**Commercial data**

Material short text	MSLL3-A-W626_1.5
URL Webshop	<a href="https://shop.murrelektronik.com/7000-40961-6260150">https://shop.murrelektronik.com/7000-40961-6260150</a>
GTIN	4048879148849

ECLASS-6.0	27279218
ECLASS-6.1	27279218
ECLASS-7.0	27279218
ECLASS-7.1	27279218
ECLASS-8.0	27279218
ECLASS-8.1	27279218
ECLASS-9.0	27060312
ECLASS-9.1	27060312
ECLASS-10.0.1	27060312
ECLASS-10.1	27060312
ECLASS-11.0	27060312
ECLASS-11.1	27060312
ECLASS-12.0	27060312
ECLASS-13.0	27060312
ECLASS-14.0	27060312
ETIM-5.0	EC001855
ETIM-6.0	EC001855
ETIM-7.0	EC001855
ETIM-8.0	EC001855
customs tariff number	85444290
EAN	4048879148849
Packaging unit	1

Cable length	1,50 m
--------------	--------

#### Side 1

Family construction form	M12
No. of poles	3
Coding	A
Mounting method	inserted, screwed, Shaking protection
Threaded hole	M12 x 1
Tightening torque	0.6 Nm
Width across flats	SW13
suitable for corrugated tube (internal Ø)	10 mm
Degree of protection (EN IEC 60529)	IP67

#### Side 2

Family construction form	MSUD BI
No. of poles	3
Threaded hole	M3x31
Tightening torque	0.4 Nm
Degree of protection (EN IEC 60529)	IP67

#### Electrical data

Drop-out delay time max.	20 ms
--------------------------	-------

#### Electrical data | Supply

Operating voltage AC	24 V
Operating voltage AC min.	19.2 V
Operating voltage AC max.	28.8 V
Operating voltage DC	24 V
Operating voltage DC min.	18 V
Operating voltage DC max.	30 V
Current operating per contact max.	4 A
Cut-off peak voltage max.	55 V

#### Diagnostics

Status indication LED yellow

#### Device protection | Electrical

Additional condition protection degree	inserted, screwed
Pollution Degree	3
Additional suppressor	Z-Diode, LED
Rated surge voltage	0.8 kV
Material group (IEC 60664-1)	I

#### Mechanical data | Material data

Material housing	Plastic
Color housing	Black
Material jacket	PUR

#### Mechanical data | Mounting data

Mounting method	inserted, screwed
-----------------	-------------------

#### Environmental characteristics | Climatic

Operating temperature min.	-25 °C
Operating temperature max.	85 °C
Additional condition temperature range	depending on cable quality

#### Important installation notes

Note on bending radius	<b>Attention:</b> Observe the permissible bending radii when laying cables, as the IP protection class can be endangered by excessive bending forces.
Note on strain relief	Protect the connectors by suitable measures from mechanical loads, e.g. by the usage of cable ties.

#### Conformity

Product standard	EN IEC 61076-2-101 (M12), EN 175301-803 (valve plug)
------------------	--

#### Installation | Cable

Cable identification	626
Cable Type	2
Amount stranding	1
Stranding	3 wires stranded
Cable weight	50.3 g/m
Material wire insulation	PVC
Amount wires	3
Outer diameter insulation	1.8 mm
Outer diameter tolerance core insulation	± 0.1 mm
Shore hardness wire insulation	43 ± 5 Shore D
Material properties wire insulation	good machinability
Ingredient freeness wire insulation	CFC-free, cadmium-free, silicone-free, lead-free
Printing color of wire insulation	white (isolation black)
Amount strands (wire)	42
Diameter of single wires	0.15 mm
Conductor crosssection (wire)	0.75 mm <sup>2</sup>
Material conductor wire	Stranded copper wire, bare
Conductor type (wire)	strand class 6
Outer-diameter (jacket)	5.9 mm
Tolerance outer diameter (sheath)	± 5 %
Material jacket	PUR
Shore hardness jacket	85 ± 5 Shore A
Freedom from ingredients (jacket)	CFC-free, cadmium-free, silicone-free, lead-free
Material property (jacket)	matte, good machinability, abrasion-resistant, low adhesion
Material inner jacket	PVC
Color (inner jacket)	Black
Conductor resistance (wire)	26 Ω/km @ 20 °C

Nominal voltage max.	300 V
Withstand voltage (wire - wire)	2 kV @ 60 s
Withstand voltage (wire - jacket)	2 kV @ 60 s
Current load capacity (standard)	to DIN VDE 0298-4
Current load capacity max. (wire)	12 A
Operating temperature min. (static)	-30 °C
Operating temperature max. (static)	80 °C
Operating temperature min. (dynamic)	-5 °C
Operating temperature max. (dynamic)	80 °C
Operating temperature min. (drag chain)	-5 °C
Operating temperature max. (drag chain)	80 °C
Oil resistance	good
Chemical resistance	good
Other resistances	good resistance to gasoline, resistant to hydrolysis, resistant to microbes
Bending radius (fixed)	10 × Outer diameter
Bending radius (dynamic)	15 × Outer diameter
No. of bending cycles (C-track)	2 Mio. @ 25 °C
Traversing distance (C-track)	5 m @ 25 °C
Travel speed (C-track)	3.3 m/s @ 25 °C
Acceleration (C-track)	5 m/s <sup>2</sup> @ 25 °C