

SVS Eco valve plug C-8mm screw terminal

2-pol. + FE, max. 0,5mm², 4 -6mm, LED+VDR 24V

Art.No.: 7000-30105-0000000

Weight: 0.020 kg

Country of origin: HU

Model designation: MSVSE-DB1X-M12 SVS Eco LED

Form C (8 mm)

24 V AC/DC ±15%

LED and VDR

metric

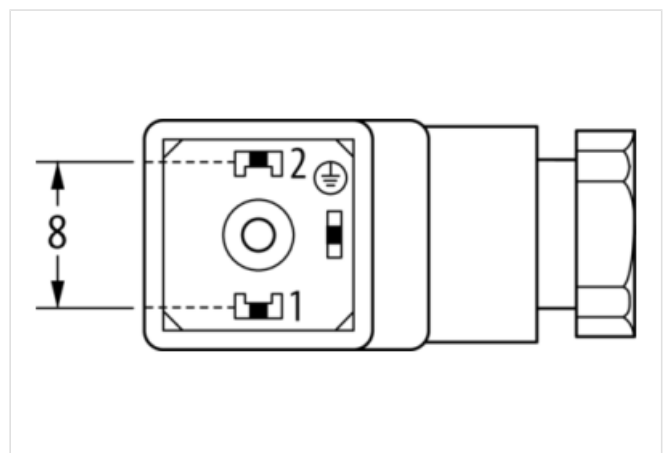
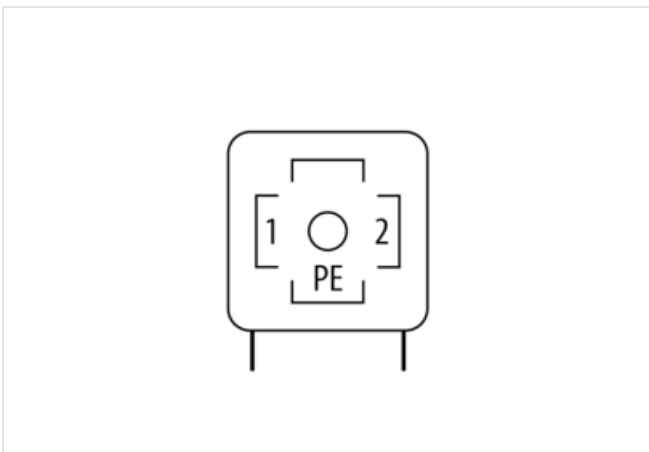
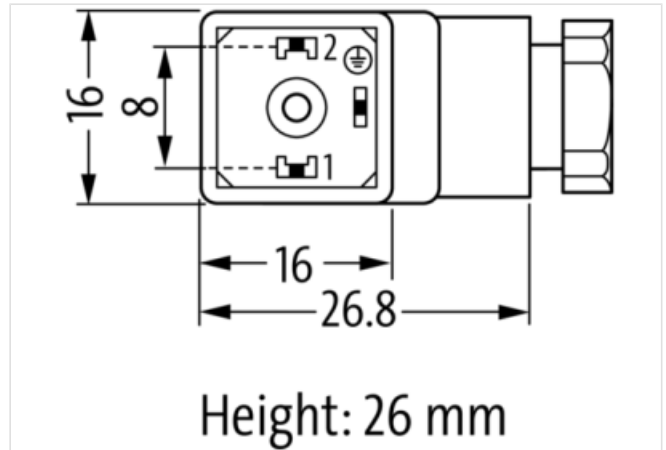
Field wireable (screw terminals)

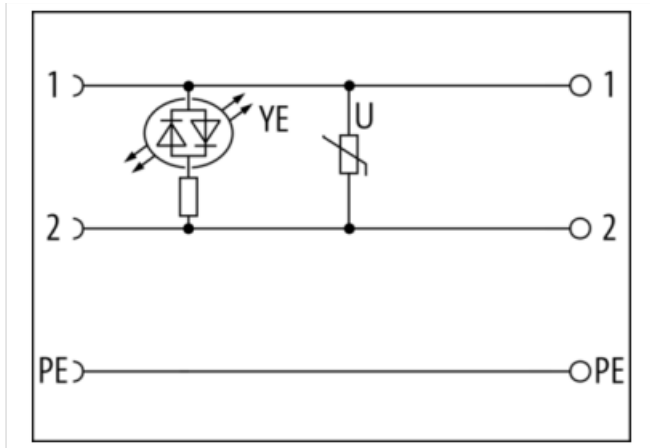
Plastic housings with good resistance against chemicals and oils.

The resistance to aggressive media should be individually tested for your application. Further details on request.

[Link to Product](#)

Illustration





Product may differ from Image

**Side 1**

Family construction form	Valve connector form C
Mounting method	pluggable, screwed
Degree of protection (EN IEC 60529)	IP65

Commercial data

URL Webshop	https://shop.murrelektronik.com/7000-30105-0000000
customs tariff number	85366990
EAN	4048879187008
Packaging unit	1

Electrical data | Supply

Operating voltage AC	24 V
Operating voltage AC min.	20,4 V
Operating voltage AC max.	26,4 V
Operating voltage DC	24 V
Operating voltage DC min.	20,4 V
Operating voltage DC max.	26,4 V
Current operating per contact max.	1,5 A

Diagnostics

Status indication LED	yellow
-----------------------	--------

Installation

Connection cross section min.	0,34 mm ²
Connection cross section max.	0,5 mm ²

Installation | Connection

Tightening torque	0,4 Nm
Tightening torque tolerance	± 0,1 Nm
Tightening torque clamping screw	0,2 Nm
Mounting set	M12 x 1.5

Installation | Pin assignment

No. of poles	2 + PE
--------------	--------

Device protection | Electrical

Additional condition protection degree	inserted, screwed
----------------------------------------	-------------------

Additional suppressor Varistor

Mechanical data | Material data

Material housing	PA
Color housing	opaque
Material gasket	NBR

Mechanical data | Mounting data

Fastening screw	M2.5
Clamping range min.	4 mm
Clamping range max.	6 mm

Environmental characteristics | Climatic

Operating temperature min.	-40 °C
Operating temperature max.	90 °C

Important installation notes

Note on bending radius	Attention: Observe the permissible bending radii when laying cables, as the IP protection class can be endangered by excessive bending forces.
Note on strain relief	Protect the connectors by suitable measures from mechanical loads, e.g. by the usage of cable ties.