

SVS VALVE PLUG FORM A 18MM FIELD-WIREABLE

24V LED+RC M16x1.5

Art.No.: 7000-29041-0000000

Weight: 0.038

Country of origin: CN

Model designation: MSVS-EB1W-M16

Form A (18 mm)

24 V AC/DC $\pm 25\%$

LED and RC

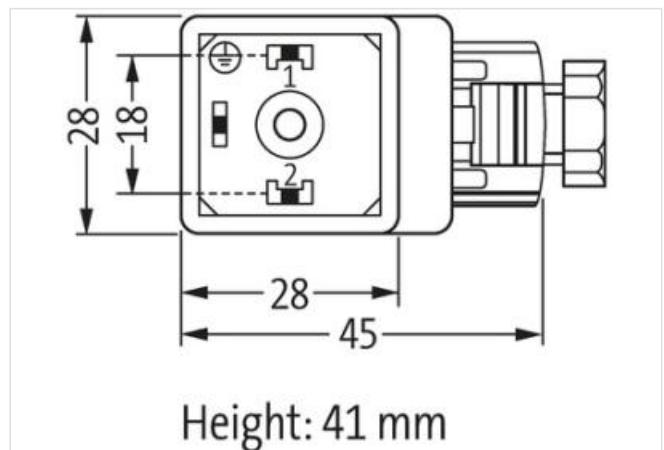
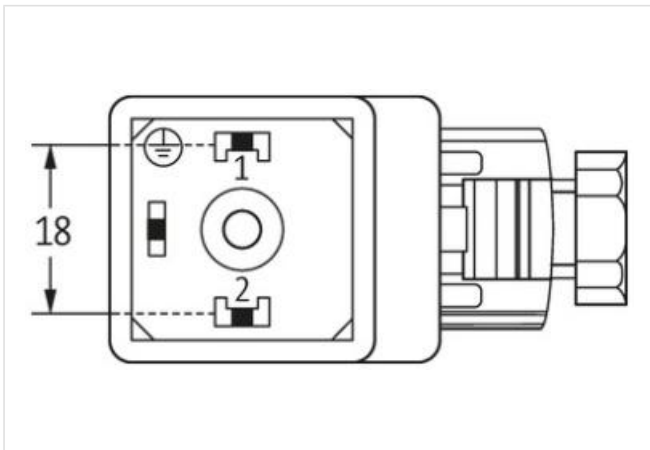
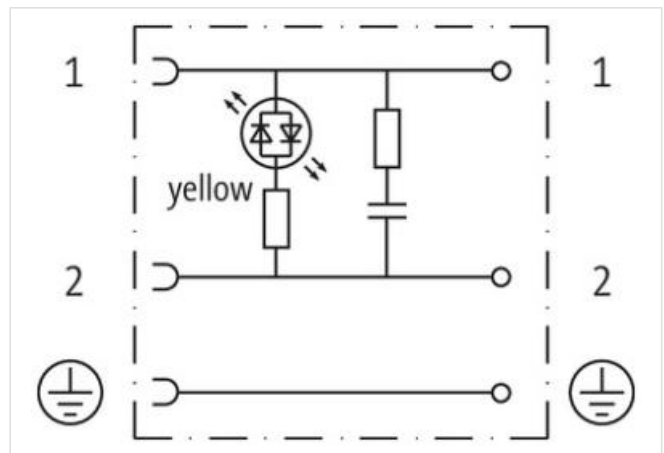
metric

Plastic housings with good resistance against chemicals and oils.

The resistance to aggressive media should be individually tested for your application. Further details on request.

[Link to Product](#)

Illustration



Product may differ from Image

Side 1

Degree of protection (EN IEC 60529)

IP65

Commercial data

ECLASS-6.0

27279221

ECLASS-6.1

27279221

ECLASS-7.0

27440104

ECLASS-8.0	27440104
ECLASS-9.0	27440105
ECLASS-10.1	27440105
ECLASS-11.1	27440105
ECLASS-12.0	27440105
ETIM-5.0	EC002635
customs tariff number	85366990
customs tariff number	85366990
GTIN	4048879187640
GTIN	4048879187640
Packaging unit	1
Packaging unit	1

Electrical data | Supply

Operating voltage AC	24 V
Operating voltage DC	24 V
Current operating per contact max.	2 A

Diagnostics

Status indication LED	yellow
-----------------------	--------

Installation | Connection

Tightening torque	0,4 Nm
Mounting set	M3

Installation | Pin assignment

No. of poles	2 + PE
--------------	--------

Device protection | Electrical

Additional condition protection degree	inserted, screwed
--	-------------------

Environmental characteristics | Climatic

Operating temperature min.	-20 °C
Operating temperature max.	60 °C

Important installation notes

Note on strain relief	Protect the connectors by suitable measures from mechanical loads, e.g. by the usage of cable ties.
Note on bending radius	Attention: Observe the permissible bending radii when laying cables, as the IP protection class can be endangered by excessive bending forces.