

M12 female 0° A-cod. screw terminal

5-pol., 0,14 - 1,5mm², 2,5 - 8mm

Art.No.: 7000-12931-0000000

Weight: 0.031 kg

Country of origin: SK

Model designation: MSBL0-U

Female straight

M12, 5-pole

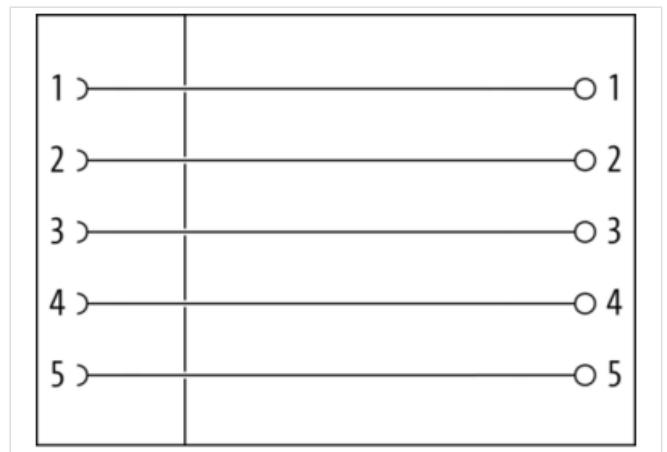
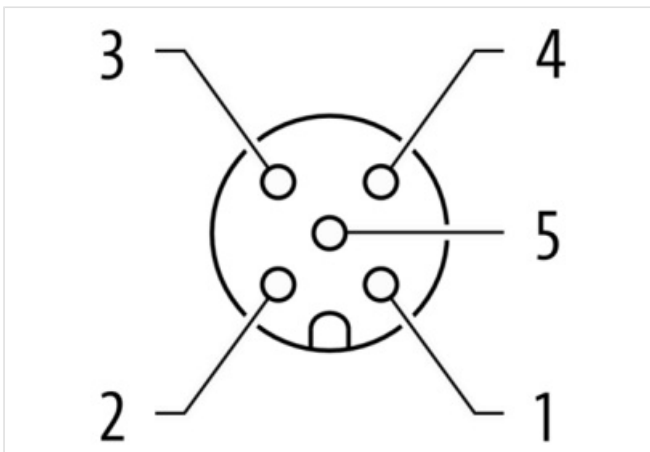
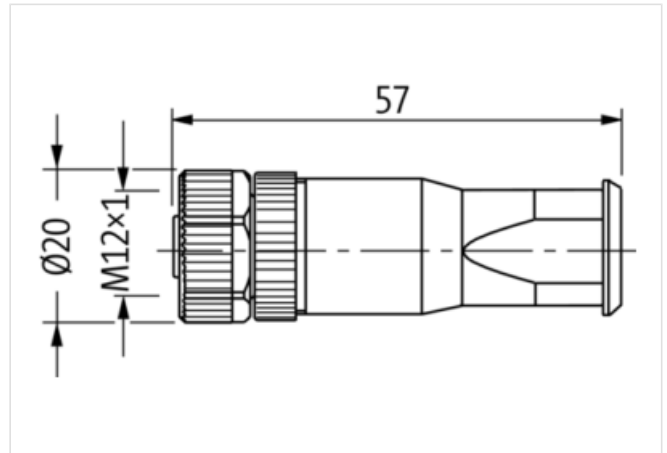
Screw terminals

Plastic housings with good resistance against chemicals and oils.

The resistance to aggressive media should be individually tested for your application. Further details on request.

[Link to Product](#)

Illustration



Product may differ from Image



Side 1

Family construction form M12

No. of poles 5

Coding	A
Gender	female
Mounting method	pluggable, inserted, screwed
Threaded hole	M12 x 1
Tightening torque	0,6 Nm
Width across flats	SW18
Cable outlet	straight
Material	PA6 GF30
Material contact	CuZn
Coating contact	gold plated
Degree of protection (EN IEC 60529)	IP67

Side 2

Mounting method	Field-wireable
-----------------	----------------

Commercial data

URL Webshop	https://shop.murrelektronik.com/7000-12931-0000000
GTIN	4048879438230
ECLASS-6.0	27279221
ECLASS-6.1	27260702
ECLASS-7.0	27440102
ECLASS-7.1	27440102
ECLASS-8.0	27440102
ECLASS-8.1	27440102
ECLASS-9.0	27440116
ECLASS-9.1	27440106
ECLASS-10.0.1	27440106
ECLASS-10.1	27440102
ECLASS-11.0	27440106
ECLASS-11.1	27440102
ECLASS-12.0	27440116
ECLASS-13.0	27440106
ECLASS-14.0	27440106
ETIM-5.0	EC002635
ETIM-6.0	EC002635
ETIM-7.0	EC002635
ETIM-8.0	EC002635
customs tariff number	85366990
EAN	4048879438230
Packaging unit	1

Electrical data | Supply

Operating voltage AC max.	60 V
Operating voltage DC max.	60 V

Installation

Connection cross section max.	1,5 mm ²
Cross section connection with wire end ferrule min.	0,14 mm ²
Cross section connection with wire end ferrule max.	1,5 mm ²
Cross section connection with wire end ferrule AWG min.	26 AWG
Cross section connection with wire end ferrule AWG max.	16 AWG

Installation | Connection

Tightening torque	0,6 Nm
-------------------	--------

Mating cycles min.	100
--------------------	-----

Device protection | Electrical

Additional condition protection degree	inserted, screwed
Pollution Degree	3/2

Mechanical data | Material data

Gasket	NBR, FPM
--------	----------

Mechanical data | Mounting data

Height	57 mm
Width	20 mm
Depth	20 mm
Mounting method	Schraubgewinde
Clamping range min.	2,5 mm
Clamping range max.	8 mm

Environmental characteristics | Climatic

Operating temperature min.	-30 °C
Operating temperature max.	85 °C

Important installation notes

Note on bending radius	Attention: Observe the permissible bending radii when laying cables, as the IP protection class can be endangered by excessive bending forces.
Note on strain relief	Protect the connectors by suitable measures from mechanical loads, e.g. by the usage of cable ties.