

M12 female 0° A-cod. screw terminal

5-pol., max. 0,75mm² 4 - 6mm

Art.No.: 7000-12922-0000000

Weight: 0.030 kg

Country of origin: CN

Model designation: MSBL0-U

Female straight

M12, 5-pole

Screw terminals

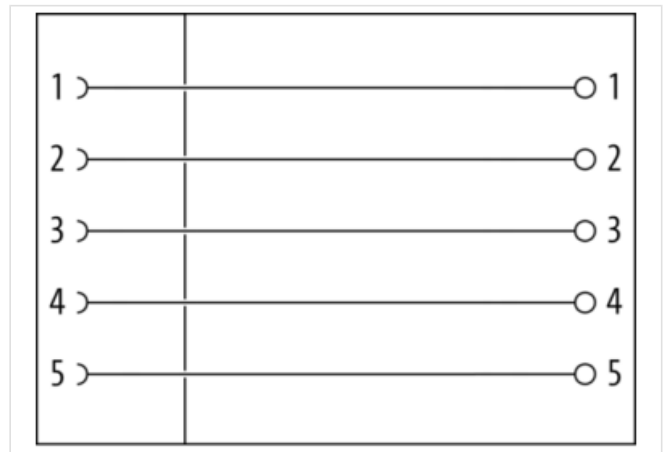
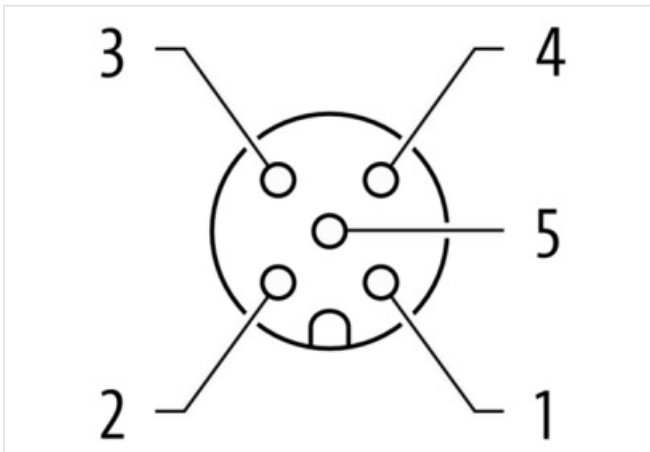
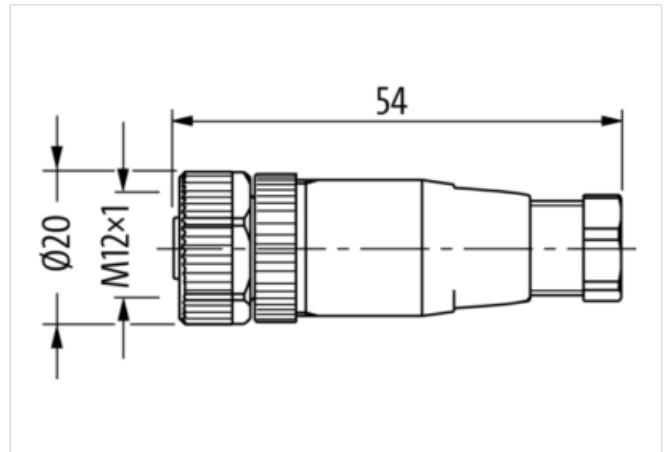
Sealing range (cable Ø): 4...6 mm

Plastic housings with good resistance against chemicals and oils.

The resistance to aggressive media should be individually tested for your application. Further details on request.

[Link to Product](#)

Illustration



Product may differ from Image



Side 1

Family construction form

M12

Coding	A
Material contact	Copper alloy
Degree of protection (EN IEC 60529)	IP67
Commercial data	
URL Webshop	https://shop.murrelektronik.com/7000-12922-0000000
GTIN	4065909040867
ECLASS-6.0	27279221
ECLASS-6.1	27260702
ECLASS-7.0	27440102
ECLASS-7.1	27440102
ECLASS-8.0	27440102
ECLASS-8.1	27440102
ECLASS-9.0	27440116
ECLASS-9.1	27440106
ECLASS-10.0.1	27440106
ECLASS-10.1	27440102
ECLASS-11.0	27440106
ECLASS-11.1	27440102
ECLASS-12.0	27440116
ECLASS-13.0	27440106
ECLASS-14.0	27440106
ETIM-5.0	EC001855
ETIM-6.0	EC001855
ETIM-7.0	EC001855
ETIM-8.0	EC001855
customs tariff number	85366990
EAN	4065909040867
Packaging unit	1
Electrical data Supply	
Operating voltage DC max.	60 V
Current operating per contact max.	4 A
Installation	
Connection cross section max.	0,75 mm ²
Installation Connection	
Connection	Screw terminals SK
Tightening torque	0,6 Nm
Width across flats	SW18
Device protection Electrical	
Additional condition protection degree	inserted, screwed
Pollution Degree	3
Overvoltage category (EN 60950-1)	II
Insulation resistance min.	100 mΩ
Mechanical data Material data	
Material housing	PBT
Coating contact	gold plated
Locking material	Copper alloy
Mechanical data Mounting data	
Clamping range min.	4 mm
Clamping range max.	6 mm
Environmental characteristics Climatic	
Operating temperature min.	-40 °C

Operating temperature max. 85 °C

Important installation notes

Note on bending radius	Attention: Observe the permissible bending radii when laying cables, as the IP protection class can be endangered by excessive bending forces.
Note on strain relief	Protect the connectors by suitable measures from mechanical loads, e.g. by the usage of cable ties.