

M12 female 0° A-cod. IDC

4-pol., 0,14 - 0,34mm², 2,9 - 5,1mm

Art.No.: 7000-12611-0000000

Weight: 0.022 kg

Country of origin: DE

Model designation: MSBL0-AC-T MOSA 0,14-0,34qmm

Female straight

M12, 4-pole

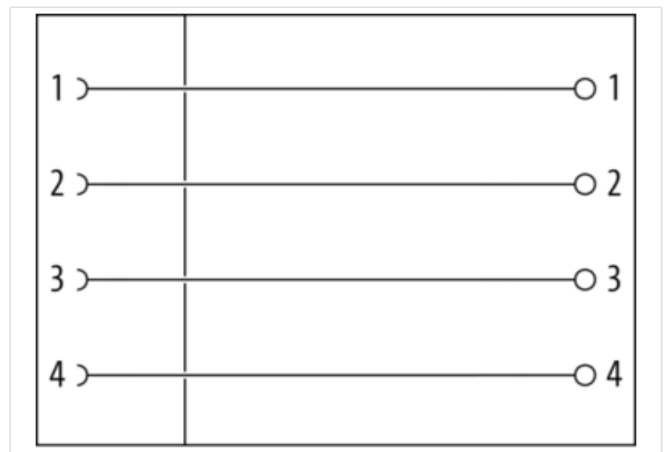
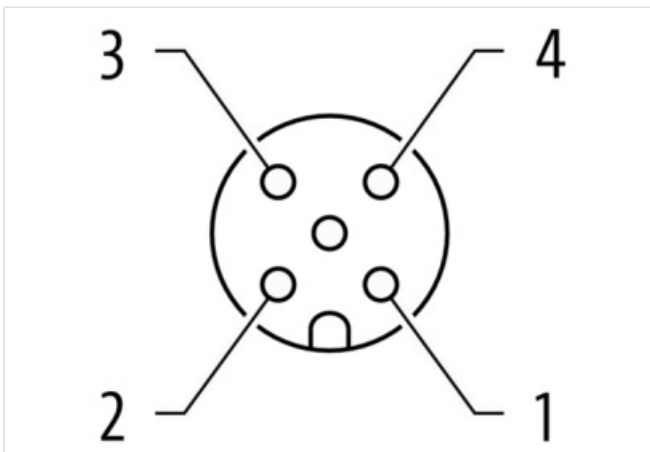
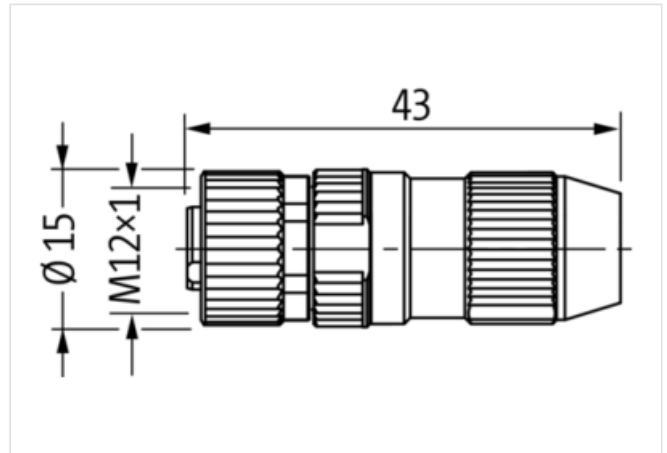
IDC terminals

Connection cross section: 0.14...0.34 mm²

The resistance to aggressive media should be individually tested for your application. Further details on request.

[Link to Product](#)

Illustration



Product may differ from Image



Side 1

Family construction form	M12
No. of poles	4

Coding	A
Gender	female
Mounting method	inserted, screwed
Threaded hole	M12 x 1
Tightening torque	0,6 Nm
Cable outlet	straight
Material contact	Brass
Coating contact	gold plated
Degree of protection (EN IEC 60529)	IP67, IP65

Side 2

Mounting method	Field-wireable
-----------------	----------------

Commercial data

URL Webshop	https://shop.murrelektronik.com/7000-12611-0000000
GTIN	4048879201742
Customs tariff number	85366990
ECLASS-6.0	27279221
ECLASS-6.1	27260702
ECLASS-7.0	27440102
ECLASS-7.1	27440102
ECLASS-8.0	27440102
ECLASS-8.1	27440102
ECLASS-9.0	27440116
ECLASS-9.1	27440106
ECLASS-10.0.1	27440106
ECLASS-10.1	27440102
ECLASS-11.0	27440106
ECLASS-11.1	27440102
ECLASS-12.0	27440116
ECLASS-13.0	27440106
ECLASS-14.0	27440106
ETIM-5.0	EC002635
ETIM-6.0	EC002635
ETIM-7.0	EC002635
ETIM-8.0	EC002635
customs tariff number	85366990
EAN	4048879201742
Packaging unit	1

Electrical data

Contact resistance max.	10 mΩ
-------------------------	-------

Electrical data | Supply

Operating voltage AC max.	32 V
Operating voltage DC max.	32 V
Current operating per contact max.	4 A

Installation

Single wire diameter min.	0,1 mm
Connection cross section min.	0,14 mm ²
Connection cross section max.	0,34 mm ²

Installation | Connection

Connection	Cut clamps IDC
Tightening torque	0,6 Nm
Mating cycles min.	100
Wire insulation diameter min.	1 mm

Wire insulation diameter max.	1,6 mm
-------------------------------	--------

Device protection | Electrical

Additional condition protection degree	inserted, screwed
Pollution Degree	3
Rated surge voltage	1,5 kV
Material group (IEC 60664-1)	I

Mechanical data | Material data

housing	PA
---------	----

Mechanical data | Mounting data

Height	43 mm
Width	15 mm
Depth	15 mm
Mounting method	inserted, screwed
Locking techniques	Screw locking
Clamping range min.	2,9 mm
Clamping range max.	5,1 mm

Environmental characteristics | Climatic

Operating temperature min.	-40 °C
Operating temperature max.	85 °C

Important installation notes

Note on bending radius	Attention: Observe the permissible bending radii when laying cables, as the IP protection class can be endangered by excessive bending forces.
Note on strain relief	Protect the connectors by suitable measures from mechanical loads, e.g. by the usage of cable ties.

Conformity

Product standard	EN IEC 61076-2-101 (M12), EN 45545-2, EN 50155
Shock and vibration resistance	EN/IEC 61373
Fire protection	EN 45545-2, HL1-HL3, requirement sets R22, R23, R24