

M8 male 0° A-cod. screw terminal

4-pol., 0,14 - 0.5mm², 2,5 - 5mm

Art.No.: 7000-08611-0000000

Weight: 0.012 kg

Country of origin: CN

Model designation: M8 STECKER GER. 2,5..5 4pol.

Male straight

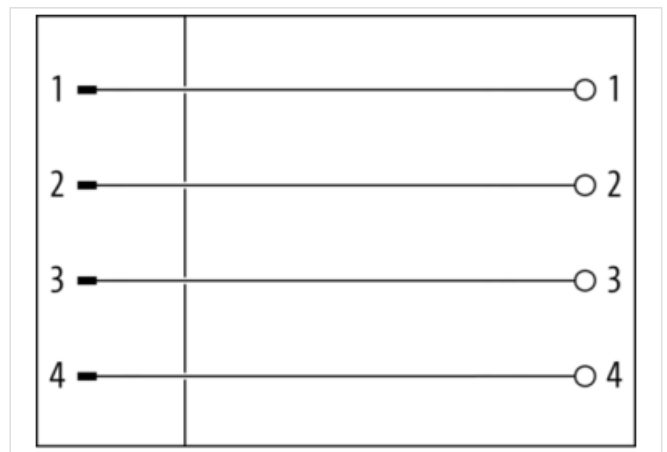
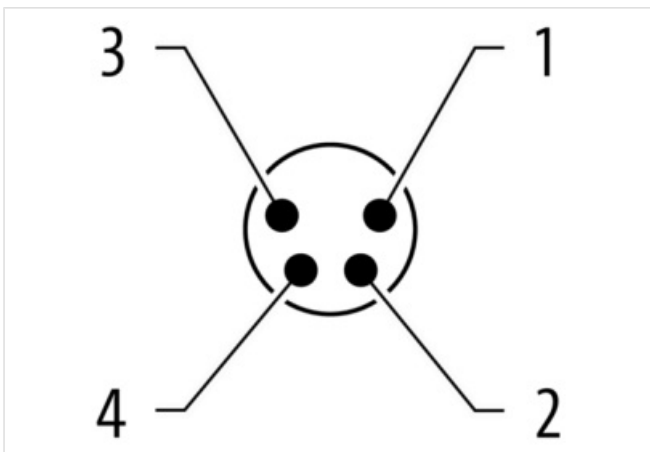
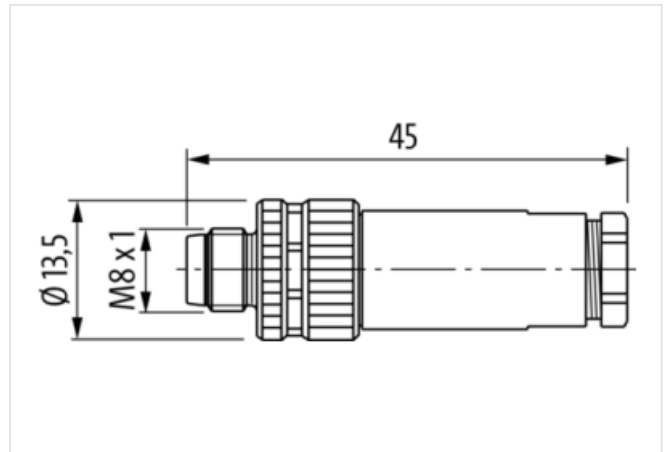
M8, 4-pole

Screw terminal

Connection cross section: 0.14...0.5 mm²

[Link to Product](#)

Illustration



Product may differ from Image



Side 1

Family construction form	M8
No. of poles	4
Coding	A

Gender	male
Mounting method	inserted, screwed
Tightening torque	0,4 Nm
Width across flats	SW13
Cable outlet	straight
Material contact	Brass
Coating contact	gold plated
Degree of protection (EN IEC 60529)	IP67

Side 2

Mounting method	Field-wireable
-----------------	----------------

Commercial data

URL Webshop	https://shop.murrelektronik.com/7000-08611-0000000
GTIN	4048879224529
Customs tariff number	85366990
ECLASS-6.0	27279221
ECLASS-6.1	27260702
ECLASS-7.0	27440102
ECLASS-7.1	27440102
ECLASS-8.0	27440102
ECLASS-8.1	27440102
ECLASS-9.0	27440116
ECLASS-9.1	27440106
ECLASS-10.0.1	27440106
ECLASS-10.1	27440102
ECLASS-11.0	27440106
ECLASS-11.1	27440102
ECLASS-12.0	27440116
ECLASS-13.0	27440106
ECLASS-14.0	27440106
ETIM-5.0	EC002635
ETIM-6.0	EC002635
ETIM-7.0	EC002635
ETIM-8.0	EC002635
customs tariff number	85366990
EAN	4048879224529
Packaging unit	1

Electrical data | Supply

Operating voltage AC max.	50 V
Operating voltage DC max.	60 V
Current operating per contact max.	4 A

Installation

Connection cross section min.	0,14 mm ²
Connection cross section max.	0,5 mm ²

Installation | Connection

Connection	Screw terminals SK
------------	--------------------

Installation | Pin assignment

Coding	A
--------	---

Device protection | Electrical

Additional condition protection degree	inserted, screwed
Pollution Degree	3
Overvoltage category (EN 60664-1)	III

Overvoltage category (EN 60950-1)	II
Insulation resistance min.	100 mΩ

Mechanical data | Material data

housing	PBT
Material contact carrier	PA66

Mechanical data | Mounting data

Height	45 mm
Width	13,5 mm
Depth	13,5 mm
Clamping range min.	2,5 mm
Clamping range max.	5 mm

Environmental characteristics | Climatic

Operating temperature min.	-40 °C
Operating temperature max.	85 °C

Important installation notes

Note on bending radius	Attention: Observe the permissible bending radii when laying cables, as the IP protection class can be endangered by excessive bending forces.
Note on strain relief	Protect the connectors by suitable measures from mechanical loads, e.g. by the usage of cable ties.