

MSDD pass-through USB 3.0 form A, 3.0 m cable, design silver

Art.No.: 4000-73000-0200000

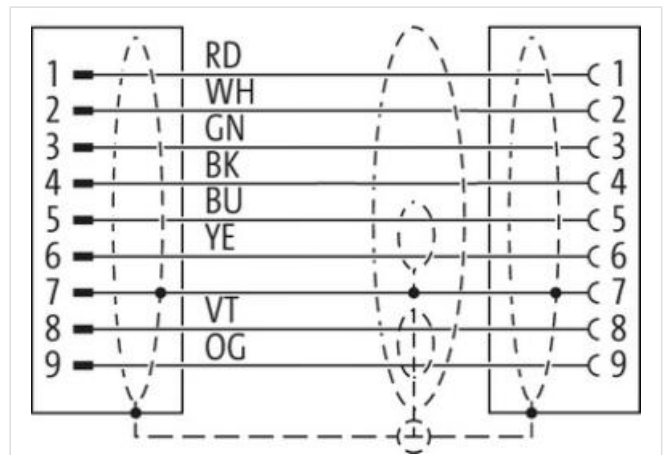
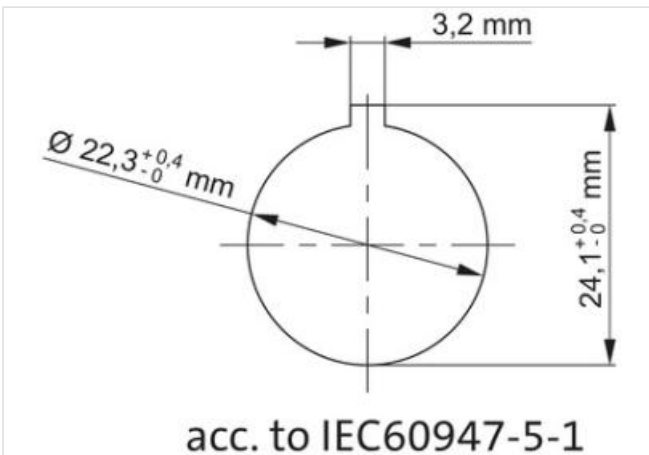
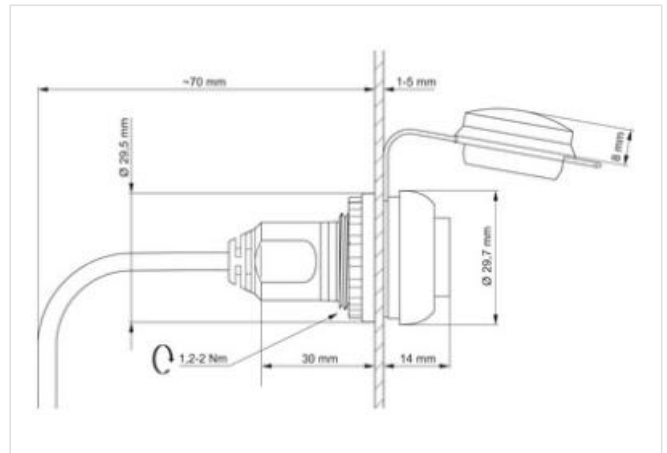
Weight: 0.152

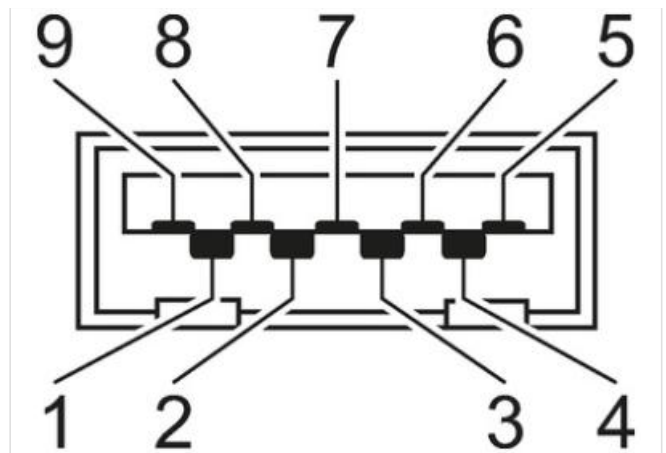
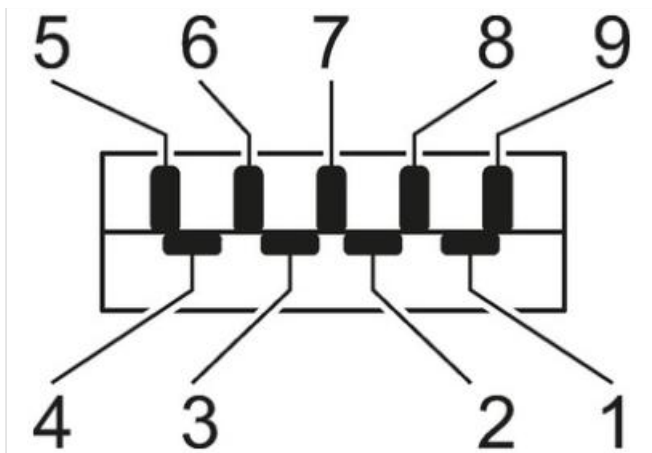
Country of origin: CZ

Model designation: MSDD PT22-S USB3.0 A/A F/M_3.0

[Link to Product](#)

Illustration





Product may differ from Image

**Commercial data**

| | |
|-----------------------|---------------|
| ECLASS-6.1 | 27143419 |
| ECLASS-7.0 | 27440515 |
| ECLASS-8.0 | 27440515 |
| ECLASS-9.0 | 27440515 |
| ECLASS-10.1 | 27440515 |
| ECLASS-11.1 | 27440515 |
| ECLASS-12.0 | 27440515 |
| customs tariff number | 85444290 |
| GTIN | 4048879857000 |
| Packaging unit | 1 |

Electrical data | Supply

| | |
|------------------------|--------|
| Operating voltage AC | 5 V |
| Operating voltage DC | 5 V |
| Operating current max. | 900 mA |

Industrial communication

| | |
|-------------------|-----|
| USB specification | 3.0 |
|-------------------|-----|

Device protection

| | |
|----------|-----|
| Shielded | yes |
|----------|-----|

Device protection | Electrical

| | |
|----------------------------------------|---------------------------|
| Degree of protection (EN IEC 60529) | IP20, IP65 |
| Protection NEMA | 2, 3R, 4, 12, 13, 4x |
| Additional condition protection degree | inserted, in closed state |

Device protection | Mechanical

| | |
|----------------------|-------------|
| Mechanical endurance | 1500 Cycles |
|----------------------|-------------|

Mechanical data | Mounting data

| | |
|-----------------|---------|
| Diameter cutout | 22,5 mm |
| Diameter | 29,5 mm |
| Mounting depth | 70 mm |
| Depth | 30 mm |

Approvals

UL 50E

yes