

MSDD pass-through RJ45 CAT5e femal/femal, design black

Neutral lid without logo

Art.No.: 4000-73000-0010001

Weight: 0.018 kg

Country of origin: CZ

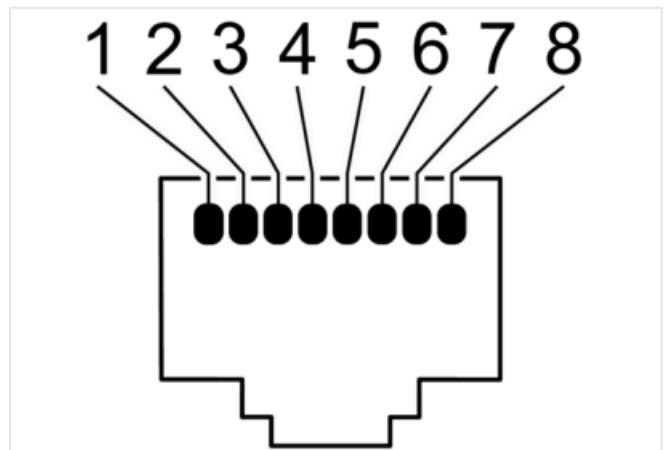
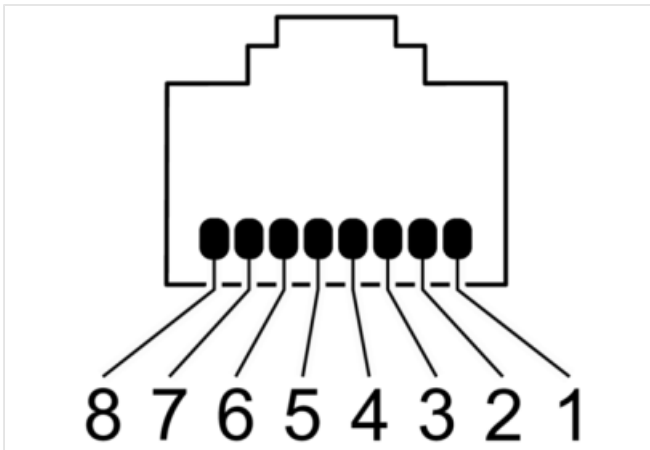
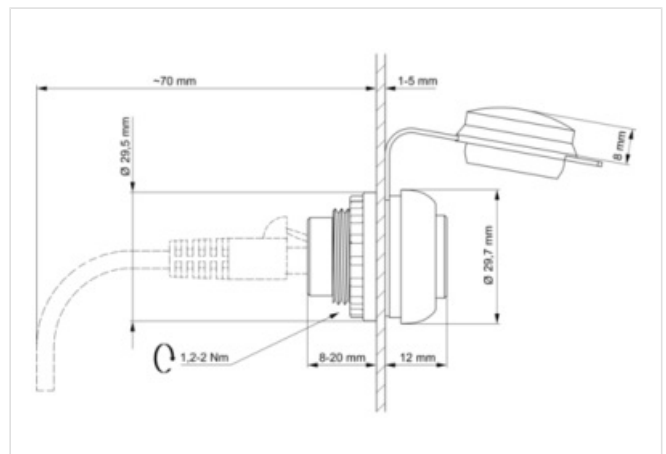
Model designation: MSDD PT22-B RJ45 CAT5e F/F

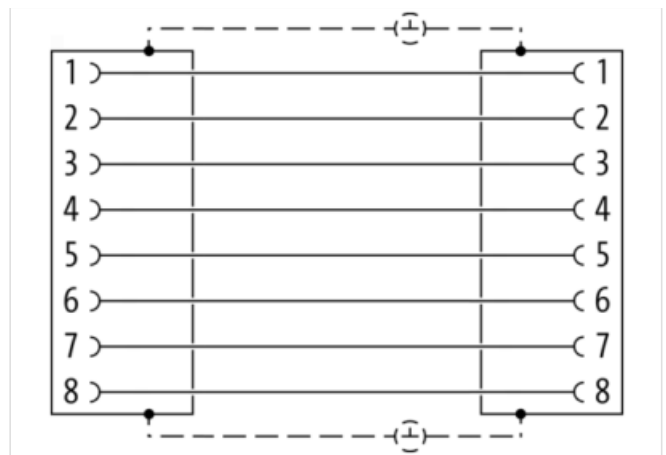
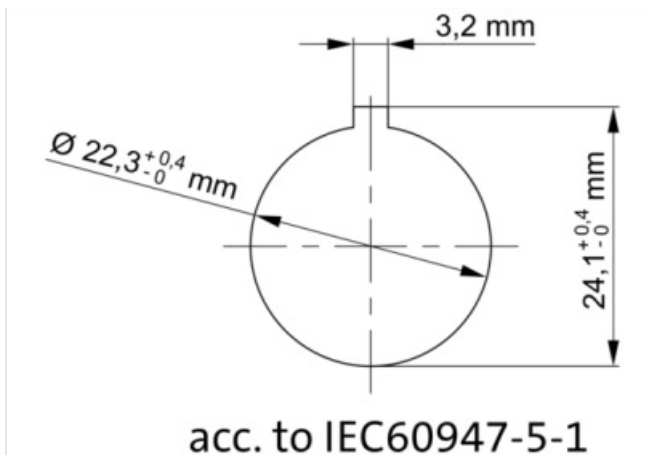
Pass-through

1 × RJ45, 8-pole CAT5e (female/female)

[Link to Product](#)

Illustration





Product may differ from Image

**Commercial data**

URL Webshop	https://shop.murrelektronik.com/4000-73000-0010001
GTIN	4065909035931
Customs tariff number	85366990
ECLASS-6.0	27143423
ECLASS-6.1	27143419
ECLASS-7.0	27440515
ECLASS-7.1	27440515
ECLASS-8.0	27440515
ECLASS-8.1	27440515
ECLASS-9.0	27440515
ECLASS-9.1	27440515
ECLASS-10.0.1	27440515
ECLASS-10.1	27440515
ECLASS-11.0	27440515
ECLASS-11.1	27440515
ECLASS-12.0	27440515
ECLASS-13.0	27440515
ECLASS-14.0	27440515
ETIM-5.0	EC002625
ETIM-6.0	EC002625
ETIM-7.0	EC002625
ETIM-8.0	EC002625
customs tariff number	85366990
EAN	4065909035931
Packaging unit	1

Electrical data | Supply

Operating voltage AC	24 V
Operating voltage DC	24 V
Operating current max.	1,5 A

Industrial Communication

Data transmission rate max.	1.000 Mbit/s
-----------------------------	--------------

Installation | Connection

The information in this Product-PDF has been compiled with the utmost care.

Liability for the correctness completeness and topicality of the information is restricted to gross negligence. Version: 2026-06-15

Murrelektronik GmbH | Grabenstraße 29 | 71570 Oppenweiler | Fon +49 (71 91) 47-0 | Fax +49 (71 91) 47-491000 | shop@murrelektronik.com | shop.murrelektronik.com

Family construction form	RJ46
Gender	female
Gender Rear	female
Cable category min.	Cat5e
Device protection	
Shielded	Yes
Device protection Electrical	
Degree of protection (EN IEC 60529)	IP20, IP65
Protection NEMA	12, 3R, 4x, 4, 13, 2
Additional condition protection degree	in closed state, inserted
Device protection Mechanical	
Mechanical endurance	750 cycles
Mechanical data Mounting data	
Depth	20 mm
Diameter	29,5 mm
Mounting depth	70 mm
Diameter cutout	22,5 mm
Approvals	
UL 50E	Yes