

MIRO SAFE+ SWITCH H L 24

24 VAC/DC - 3 N/O contact / 1 N/C contact

Art.No.: 3000-33113-3020012

Weight: 0.240 kg

Country of origin: DE

Model designation: MIRO SAFE+ Switch H L 24

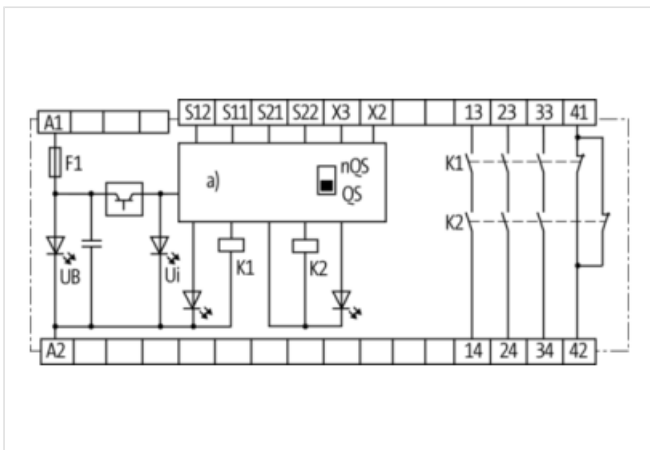
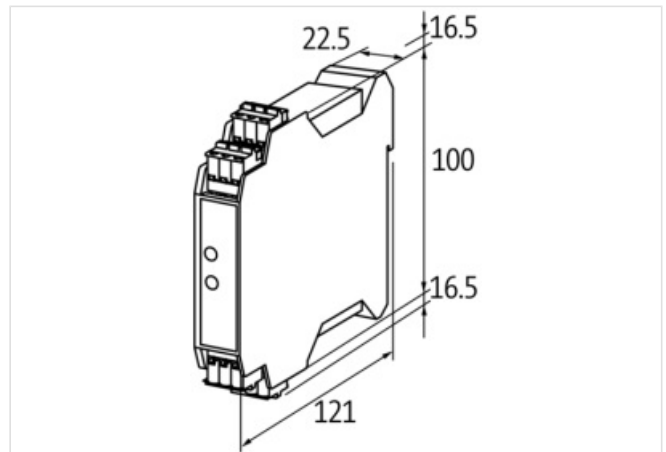
8 A

Protection-door and emergency-stop control

Light curtain control

Safety magnetic switch control

Automatic/manual/manual monitored reset/start

Link to Product**Illustration**

Product may differ from Image

**Commercial data**

URL Webshop

<https://shop.murrelektronik.com/3000-33113-3020012>

GTIN

4048879367523

Customs tariff number	85364900
ECLASS-6.0	27371819
ECLASS-6.1	27371819
ECLASS-7.0	27371819
ECLASS-7.1	27371819
ECLASS-8.0	27371819
ECLASS-8.1	27371819
ECLASS-9.0	27371819
ECLASS-9.1	27371819
ECLASS-10.0.1	27371819
ECLASS-10.1	27371819
ECLASS-11.0	27371819
ECLASS-11.1	27371819
ECLASS-12.0	27371819
ECLASS-13.0	27371819
ECLASS-14.0	27371819
ETIM-5.0	EC001449
ETIM-6.0	EC001449
ETIM-7.0	EC001449
ETIM-8.0	EC001449
customs tariff number	85364900
EAN	4048879367523
Packaging unit	1

Safety codes

DCavg (EN ISO 13849-1)	99 %
Service life	20 a
Category (EN ISO 13849-1)	4
Performance level (EN ISO 13849-1)	e
SIL (IEC 61508)	3

Electrical data | Supply

Total current max.	24 A
Power consumption max.	2 W
Apparent power max.	4,9 VA

Electrical data | Input

Input voltage AC	24 V
Input voltage AC min.	20,4 V
Input voltage AC max.	26,4 V
Input voltage DC	24 V
Input voltage DC min.	20,4 V
Input voltage DC max.	28,8 V

Electrical data | Output

No. of auxiliary contacts	1
Auxiliary contacts	41-42
Switching voltage AC max.	250 V
Switching voltage DC max.	250 V
Switching current max.	8 A
No. of safety contacts	3
Safety contacts	13-14, 23-24, 33-34
Utilization category AC-15 (EN IEC 60947-5-1)	6 A @ 230 V
Utilization category DC-13 STOP0 (EN IEC 60947-5-1)	6 A @ 24 V
Switching capacity safety contacts STOP0	max. 250 V AC/8 A; min. 10 V AC/10 mA (resist./ind.), at suitable suppression
No. of alarm outputs	0

Device protection	
Condition lifetime	load-dependent
Device protection Electrical	
Electrical lifetime	0 cycles
Device protection Mechanical	
Mechanical endurance	0 cycles
Mechanical data Material data	
Material properties contact	self-cleaning, positively driven
Material contact	Ag Sn O
Mechanical data Mounting data	
Height	100 mm
Width	22,5 mm
Depth	121 mm
Mounting method	geschnappt
Suitable for mounting type	(EN 60715), mounting rail
Environmental characteristics Climatic	
Operating temperature min.	-25 °C
Operating temperature max.	60 °C
Derating	45 °C
Ambient temperature (storage, transport)	-40 °C ... 85 °C
Connection type 4	
Family construction form	terminal
No. of poles	4
Gender	female
Color contact carrier	black
Connection	Spring clamp terminals FK
PIN 1	34
PIN 2	24
PIN 3	14
PIN 4	42
Family construction form	terminal
No. of poles	4
Gender	female
Color contact carrier	black
Connection	Spring clamp terminals FK
PIN 1	X 3
PIN 2	S 22
PIN 3	S 21
PIN 4	A 2
Family construction form	terminal
No. of poles	4
Gender	female
Color contact carrier	black
Connection	Spring clamp terminals FK
PIN 1	X 2
PIN 2	S 12
PIN 3	S 11
PIN 4	A 1
Family construction form	terminal
No. of poles	4
Gender	female

Color contact carrier	black
Connection	Spring clamp terminals FK
PIN 1	33
PIN 2	23
PIN 3	13
PIN 4	41