

MIRO TH 230VAC FK OPTO-COUPLER MODULE

IN: 250 VAC - OUT: 250 VAC / 0,5A

Art.No.: 6652557

Weight: 0.020 kg

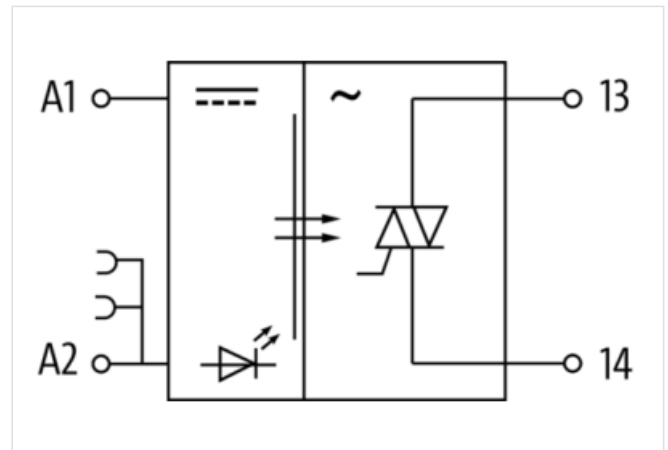
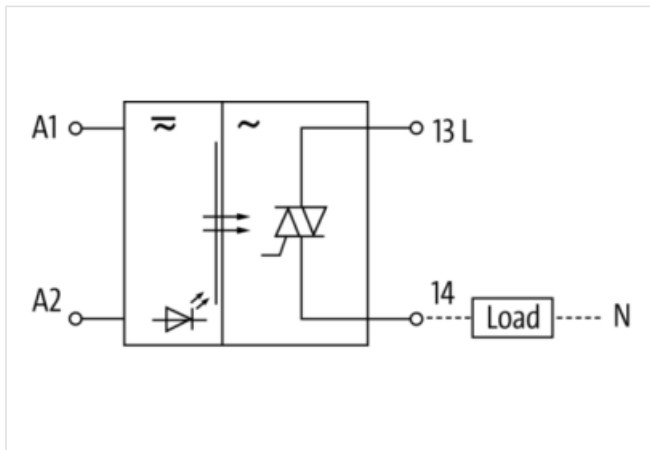
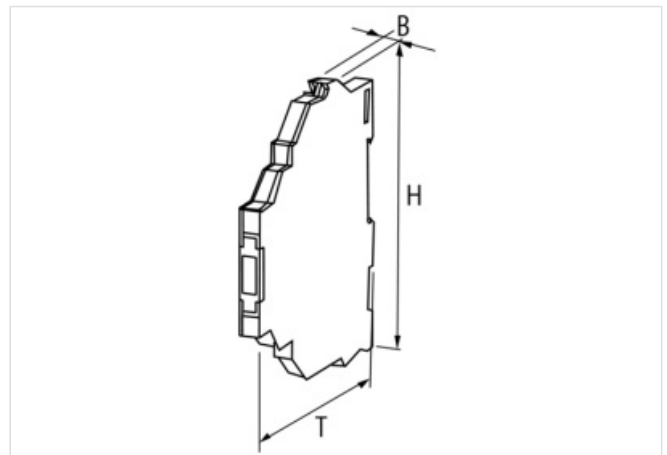
Country of origin: CZ

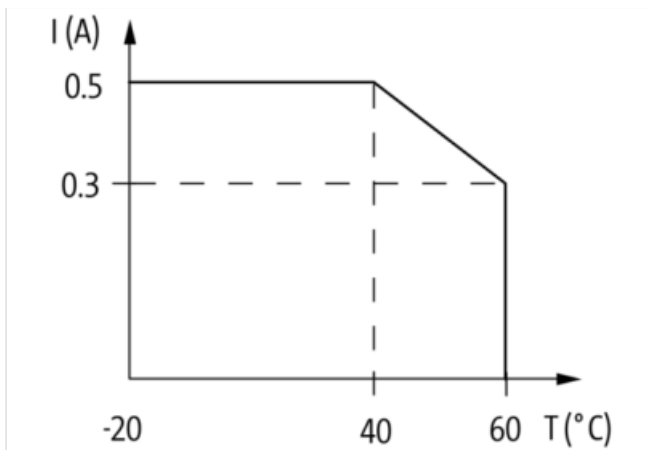
Model designation: MIRO,TH,230VAC,FK

Triac 0.5 A

230 V AC

Spring clamp terminals

[Link to Product](#)**Illustration**



Product may differ from Image

**Commercial data**

URL Webshop	https://shop.murrelektronik.com/6652557
GTIN	4048879021692
Customs tariff number	85414900
ECLASS-6.0	27371601
ECLASS-6.1	27371604
ECLASS-7.0	27371604
ECLASS-7.1	27371604
ECLASS-8.0	27371604
ECLASS-8.1	27371604
ECLASS-9.0	27371604
ECLASS-9.1	27371604
ECLASS-10.0.1	27371604
ECLASS-10.1	27371604
ECLASS-11.0	27371604
ECLASS-11.1	27371604
ECLASS-12.0	27371604
ECLASS-13.0	27371604
ECLASS-14.0	27371604
ETIM-5.0	EC001504
ETIM-6.0	EC001504
ETIM-7.0	EC001504
ETIM-8.0	EC001504
customs tariff number	85414900
EAN	4048879021692
Packaging unit	1

Electrical data | Input

Input voltage AC min.	140 V
Input voltage AC max.	250 V
Input voltage OFF AC min.	0 V
Input voltage OFF AC max.	80 V
Current input AC	7,2 mA

Electrical data | Output

The information in this Product-PDF has been compiled with the utmost care.

Liability for the correctness completeness and topicality of the information is restricted to gross negligence. Version: 2026-06-15

Murrelektronik GmbH | Grabenstraße 29 | 71570 Oppenweiler | Fon +49 (71 91) 47-0 | Fax +49 (71 91) 47-491000 | shop@murrelektronik.com | shop.murrelektronik.com

Voltage drop AC max.	1,5 V
Quiescent current OFF max.	0,3 mA
Switch on delay max.	10 ms
Switch off delay max.	10 ms
Voltage switching AC min.	12 V
Switching voltage AC max.	250 V
Switching current min.	2 mA
Switching current max.	0,5 A
Switching frequency max.	20 Hz
Additional condition switching frequency	depending on wiring

Diagnostics

Status indication LED	yellow
-----------------------	--------

Device protection | Electrical

Rated surge voltage	2,5 kV
---------------------	--------

Device protection | Media

Flame resistance	flame retardant
------------------	-----------------

Mechanical data | Material data

housing	Plastic
Color housing	black

Mechanical data | Mounting data

Height	78 mm
Width	6,2 mm
Depth	70 mm
Mounting method	geschnappt
Suitable for mounting type	(EN 60715), mounting rail

Environmental characteristics | Climatic

Operating temperature min.	-20 °C
Operating temperature max.	60 °C

Connection type 4

Family construction form	terminal
No. of poles	1
Gender	female
Color contact carrier	black
Connection	Spring clamp terminals FK
PIN 1	13
Family construction form	terminal
No. of poles	1
Gender	female
Color contact carrier	black
Connection	Spring clamp terminals FK
PIN 1	14
Family construction form	terminal
No. of poles	1
Gender	female
Color contact carrier	black
Connection	Spring clamp terminals FK
PIN 1	A 1
Family construction form	terminal
No. of poles	1
Gender	female
Color contact carrier	black

Connection	Spring clamp terminals FK
PIN 1	A 2