

MIRO 6.2 230V-1W-FK OUTPUT RELAY

IN: 230 VAC/DC - OUT: 250 VAC/DC / 6 A

Art.No.: 6652040

Weight: 0.035 kg

Country of origin: CZ

Model designation: MIRO 6,2-1AUSG.REL.230V-1W-FK

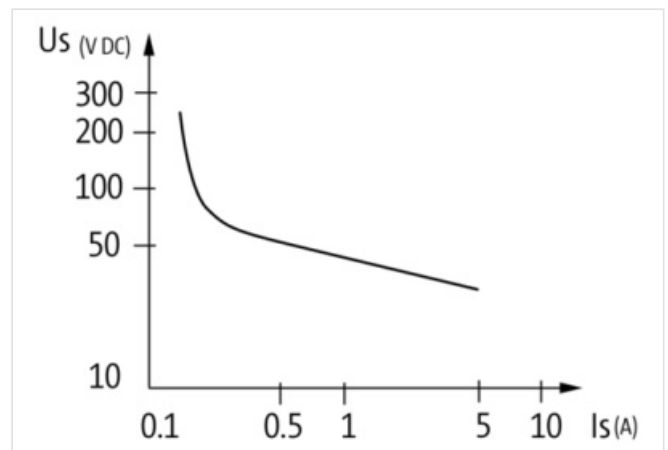
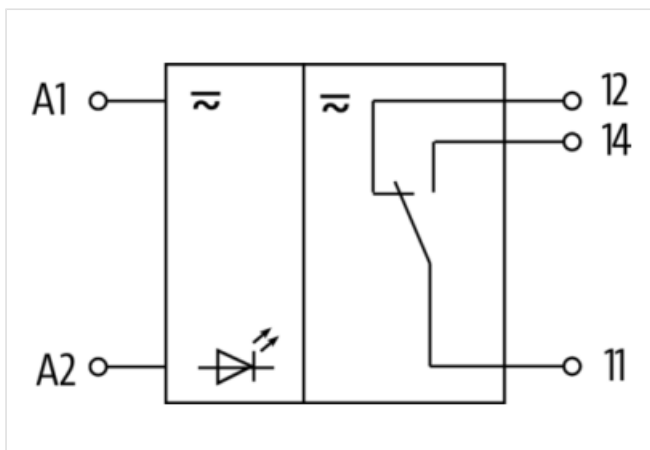
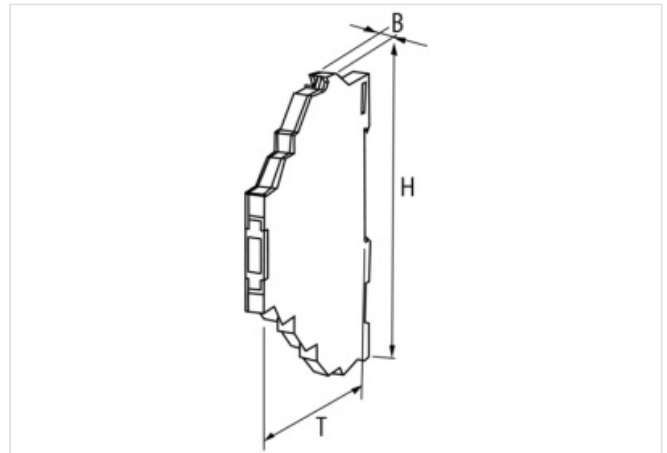
1 NO/NC contact

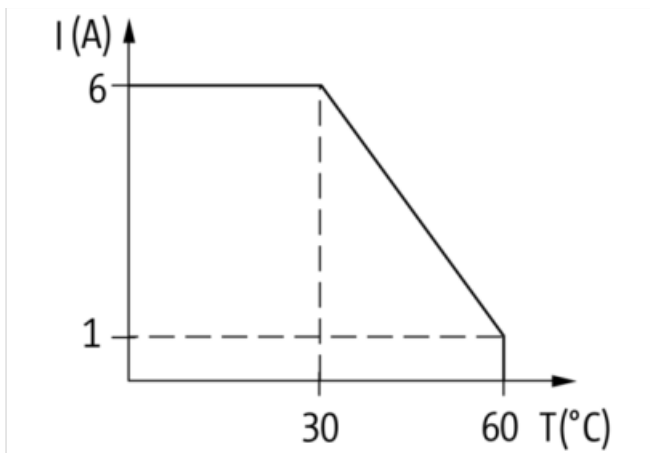
6 A

230 V AC/DC

Spring clamp terminals

safe separation (EN 60947-1)

[Link to Product](#)**Illustration**



Product may differ from Image



Commercial data

URL Webshop	https://shop.murrelektronik.com/6652040
GTIN	4048879022118
Customs tariff number	85364900
ECLASS-6.0	27371601
ECLASS-6.1	27371601
ECLASS-7.0	27371601
ECLASS-7.1	27371601
ECLASS-8.0	27371601
ECLASS-8.1	27371601
ECLASS-9.0	27371601
ECLASS-9.1	27371601
ECLASS-10.0.1	27371601
ECLASS-10.1	27371601
ECLASS-11.0	27371601
ECLASS-11.1	27371601
ECLASS-12.0	27371601
ECLASS-13.0	27371601
ECLASS-14.0	27371601
ETIM-5.0	EC001437
ETIM-6.0	EC001437
ETIM-7.0	EC001437
ETIM-8.0	EC001437
customs tariff number	85364900
EAN	4048879022118
Packaging unit	1

Electrical data | Input

Input voltage AC	230 V
Input voltage AC min.	195 V
Input voltage AC max.	253 V
Input voltage DC	230 V
Input voltage DC min.	195 V
Input voltage DC max.	253 V
Input current	3 mA

The information in this Product-PDF has been compiled with the utmost care.

Liability for the correctness completeness and topicality of the information is restricted to gross negligence. Version: 2026-06-15

Murrelektronik GmbH | Grabenstraße 29 | 71570 Oppenweiler | Fon +49 (71 91) 47-0 | Fax +49 (71 91) 47-491000 | shop@murrelektronik.com | shop.murrelektronik.com

Electrical data Output	
Switching voltage AC max.	250 V
Switching voltage DC max.	250 V
Switching current max.	6 A
Switching current DC	10 mA
Switching frequency max.	10 Hz
Power rating AC max.	1.500 VA
Power rating DC max.	120 W
Utilization category AC-12 (EN IEC 60947-5-1)	6 A @ 24 V 6 A @ 110 V 6 A @ 230 V
Utilization category AC-15 (EN IEC 60947-5-1)	3 A @ 24 V 3 A @ 110 V 3 A @ 230 V
Utilization category DC-13 (EN IEC 60947-5-1)	1 A @ 24 V 0.2 A @ 110 V 0.1 A @ 230 V
Diagnostics	
Status indication LED	green
Device protection	
Condition lifetime	load-dependent
Device protection Electrical	
Electrical lifetime	0 cycles
Rated surge voltage	4 kV
Device protection Mechanical	
Mechanical endurance	0 cycles
Mechanical data	
Response time max.	10 ms
Drop-out time max.	15 ms
Bounce time max.	1,5 ms
Mechanical data Material data	
Material contact	Ag Sn O2
Mechanical data Mounting data	
Height	91 mm
Width	6,2 mm
Depth	70 mm
Mounting method	geschnappt
Suitable for mounting type	(EN 60715), mounting rail
Environmental characteristics Climatic	
Operating temperature min.	-25 °C
Operating temperature max.	60 °C
Connection type 5	
Family construction form	terminal
No. of poles	1
Gender	female
Color contact carrier	black
Connection	Spring clamp terminals FK
PIN 1	12
Family construction form	terminal
No. of poles	1
Gender	female
Color contact carrier	black
Connection	Spring clamp terminals FK
PIN 1	11
Family construction form	terminal
No. of poles	1
Gender	female

Color contact carrier	black
Connection	Spring clamp terminals FK
PIN 1	14
Family construction form	terminal
No. of poles	1
Gender	female
Color contact carrier	black
Connection	Spring clamp terminals FK
PIN 1	A 1
Family construction form	terminal
No. of poles	1
Gender	female
Color contact carrier	black
Connection	Spring clamp terminals FK
PIN 1	A 2