

Gateway Profibus-DP/AS-i, 1 Master

Spec. 3.0

Art.No.: 556612

Weight: 0.450 kg

Country of origin: DE

Model designation: Gateway PB-DP/AS-i, 1 Master 3.0 IP20

Gateway-Singlemaster

AS-Interface/PROFIBUS DP

via pluggable spring clamp plug-in terminals on the front 0.5...1.5 mm²

Specification 2.1

Current manuals, GSD/type data can be downloaded at: www.murrelektronik.com

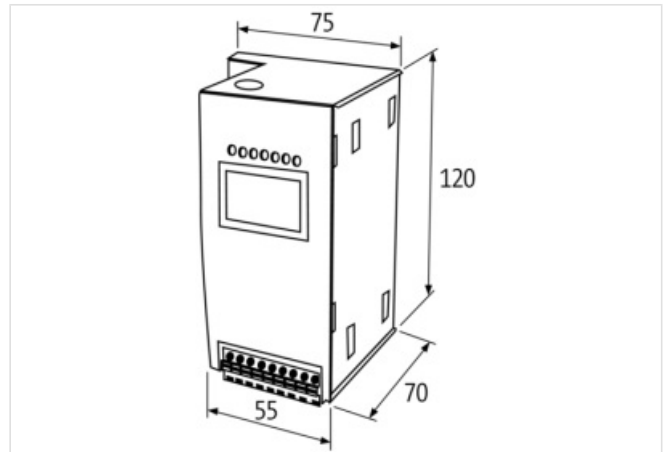
Other gateways on request.

Link to Product

Illustration



Product may differ from Image



Commercial data

URL Webshop	https://shop.murrelektronik.com/556612
GTIN	4048879046565
ECLASS-6.0	27242608
ECLASS-6.1	27242608
ECLASS-7.0	27242608
ECLASS-7.1	27242608
ECLASS-8.0	27242608
ECLASS-8.1	27242608
ECLASS-9.0	27242608
ECLASS-9.1	27242608
ECLASS-10.0.1	27242608
ECLASS-10.1	27242608
ECLASS-11.0	27242608
ECLASS-11.1	27242608
ECLASS-12.0	27242608
ECLASS-13.0	27242608

The information in this Product-PDF has been compiled with the utmost care.

Liability for the correctness completeness and topicality of the information is restricted to gross negligence. Version: 2026-05-15

Murrelektronik GmbH | Grabenstraße 29 | 71570 Oppenweiler | Fon +49 (71 91) 47-0 | Fax +49 (71 91) 47-491000 | shop@murrelektronik.com | shop.murrelektronik.com

ECLASS-14.0	27242608
ETIM-5.0	EC001604
ETIM-6.0	EC001604
ETIM-7.0	EC001604
ETIM-8.0	EC001604
customs tariff number	85176200
EAN	4048879046565
Packaging unit	1

Electrical data

Rated operating current AS-Interface max.	200 mA
---	--------

Electrical data | Supply

Operating voltage DC	30 V
----------------------	------

Industrial communication | Bus data

Address range default setting	3
Address setting type	Buttons, Profibus
Address range min.	1
Address range max.	126
Automatic baudrate detection	Yes
Baud rate min.	9,6 kBaud
Baud rate max.	12 MBaud

Industrial communication | AS-Interface

AS-i specification	V2.11
Number of slaves max.	62
Diagnostic interface serial	PS2/RS232
Cycle time AS-i	150 µs × (number of slaves + 2)

Industrial communication | Profibus

PROFIBUS function	Illustration of AS-Interface slaves as I/O process data in PROFIBUS DP, full diagnostic configuration via DP-master
-------------------	---

Installation | Connection

Family construction form	SUB-D9
--------------------------	--------

Device protection | Electrical

Degree of protection (EN IEC 60529)	IP20
Rated insulation voltage	500 V

Mechanical data

Number of operating buttons	4
Function operating buttons	Mode, Set, OK, ESC

Mechanical data | Mounting data

Height	120 mm
Width	75 mm
Depth	83 mm
Mounting method	geschnappt
Suitable for mounting type	(EN 60715), mounting rail

Environmental characteristics | Electromagnetic compatibility

Interference emission	EN 50081
-----------------------	----------

Environmental characteristics | Climatic

Operating temperature min.	0 °C
Operating temperature max.	55 °C
Ambient temperature (storage, transport)	-20 °C ... 85 °C

Conformity

Product standard	EN 50295
------------------	----------

