

MIRO 6.2 OPTO-COUPLER MODULE

IN: 35 VDC - OUT: 30 VDC / 0.2 A max. 20 kHz

Art.No.: 526071

Weight: 0.036

Country of origin: CZ

Model designation: MIRO OPTOKOPPLER 20 kHz (AMMDS 10-44/1)

Transistor 0.2 A

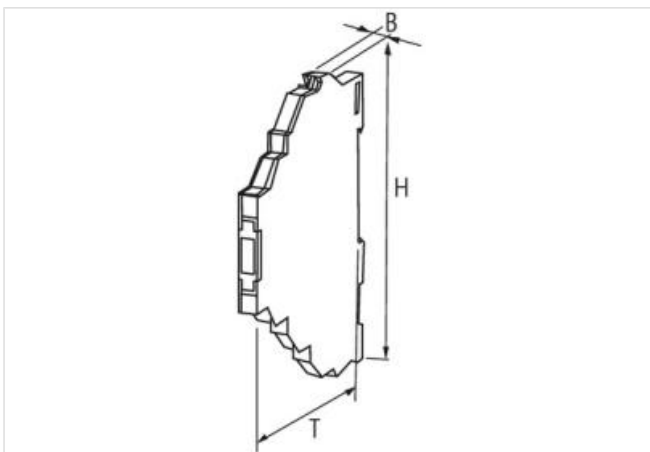
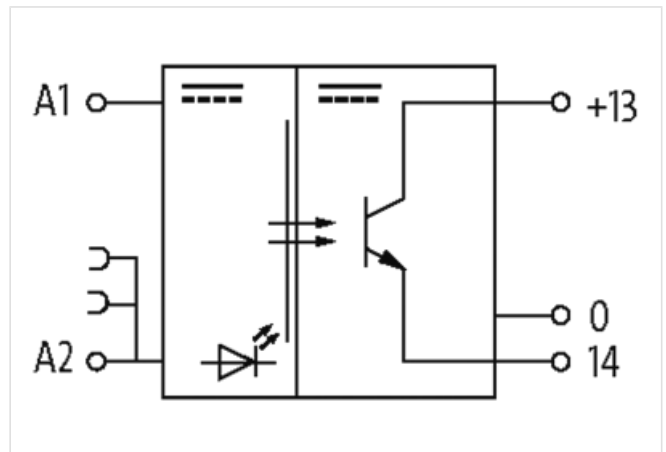
24 V DC

Switching frequency: max. 20 kHz

Spring clamp terminals

[Link to Product](#)

Illustration



Product may differ from Image



Commercial data

ECLASS-6.0	27371604
ECLASS-6.1	27371604
ECLASS-7.0	27371604

The information in this Product-PDF has been compiled with the utmost care.

Liability for the correctness completeness and topicality of the information is restricted to gross negligence. Version: 2025-04-30

Murrelektronik GmbH | Grabenstraße 29 | 71570 Oppenweiler | Fon +49 (71 91) 47-0 | Fax +49 (71 91) 47-491000 | shop@murrelektronik.com | shop.murrelektronik.com

ECLASS-8.0	27371604
ECLASS-9.0	27371604
ECLASS-10.1	27371604
ECLASS-11.1	27371604
ECLASS-12.0	27371604
ETIM-5.0	EC001504
customs tariff number	85414900
customs tariff number	85414900
GTIN	4048879024532
GTIN	4048879024532
Packaging unit	1
Packaging unit	1

Electrical data | Input

Input voltage DC min.	10 V
Input voltage DC max.	35 V
Input voltage OFF DC min.	0 V
Input voltage OFF DC max.	5 V
Input current DC max.	6 mA

Electrical data | Output

Switch off delay max.	7 µs
Switch on delay max.	5 µs
Quiescent current OFF max.	0,025 mA
Switching frequency inductive max.	200 Hz
Switching frequency ohmic max.	20000 Hz
Voltage switching DC min.	10 V
Switching voltage DC max.	30 V
Switching current min.	1 mA
Switching current max.	0,2 A
Voltage drop AC max.	0,3 V
Voltage drop DC max.	0,3 V

Diagnostics

Status indication LED	green
-----------------------	-------

Device protection | Electrical

Rated surge voltage	2,5 kV
---------------------	--------

Device protection | Media

Flame resistance	flame retardant
------------------	-----------------

Mechanical data | Material data

Material housing	Plastic
Color housing	black

Mechanical data | Mounting data

Mounting method	geschnappt
Suitable for mounting type	mounting rail, (EN 60715)
Height	91 mm
Width	6,2 mm
Depth	70 mm

Environmental characteristics | Climatic

Operating temperature min.	-20 °C
Operating temperature max.	60 °C

Connection type 5

Connection	Spring clamp terminals FK
Family construction form	terminal

Gender	female
Color contact carrier	black
No. of poles	1
PIN 1	A 2
Connection	Spring clamp terminals FK
Family construction form	terminal
Gender	female
Color contact carrier	black
No. of poles	1
PIN 1	A 1
Connection	Spring clamp terminals FK
Family construction form	terminal
Gender	female
Color contact carrier	black
No. of poles	1
PIN 1	13
Connection	Spring clamp terminals FK
Family construction form	terminal
Gender	female
Color contact carrier	black
No. of poles	1
PIN 1	14
Connection	Spring clamp terminals FK
Family construction form	terminal
Gender	female
Color contact carrier	black
No. of poles	1