

MST 1-PHASE SAFETY TRANSFORMER

P: 500VA IN: 230/400VAC OUT: 24VAC

Art.No.: 86328

Weight: 6.45

Country of origin: CZ

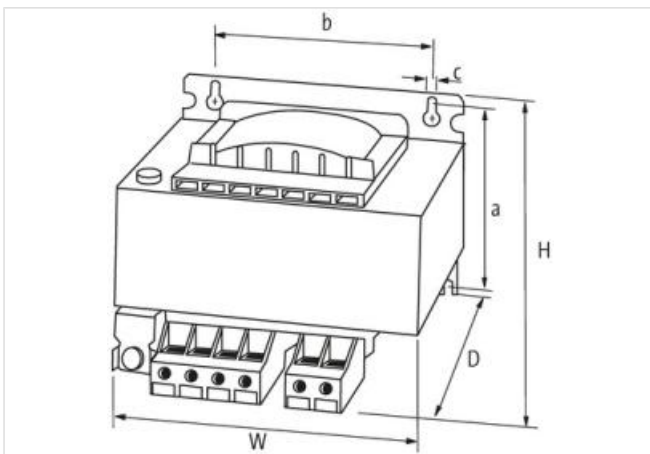
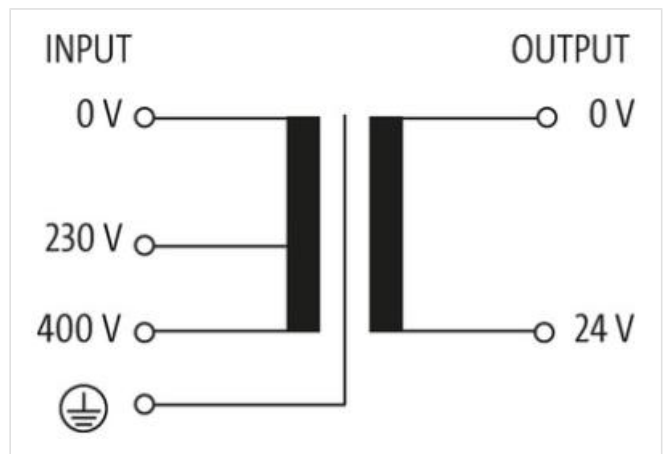
Model designation: MST 0500-230-400/24

Single-phase safety transformer

500 VA

Isolation class T 40/B

Other voltages on request.

[Link to Product](#)**Illustration**

Product may differ from Image

**Commercial data**

ECLASS-6.0	27031302
ECLASS-6.1	27031302
ECLASS-7.0	27031302

ECLASS-8.0	27031302
ECLASS-9.0	27031302
ECLASS-10.1	27031302
ECLASS-11.1	27031302
ECLASS-12.0	27031302
ETIM-5.0	EC002486
customs tariff number	85043180
customs tariff number	85043180
GTIN	4048879078597
GTIN	4048879078597
Packaging unit	1
Packaging unit	1

Electrical data

Security level	SELV
----------------	------

Electrical data | Supply

Power frequency	50 ... 60 Hz
-----------------	--------------

Electrical data | Input

Input voltage 1 AC	230 V
Input voltage 2 AC	400 V
Input current at input voltage 1 AC	2,4 A
Input current at input voltage 2 AC	1,4 A
Inrush current at input voltage 1	81 A
Inrush current at input voltage 2	17,3 A
Short-circuit current at input voltage 1	40,4 A
Short-circuit current at input voltage 2	21,2 A

Electrical data | Output

Output voltage AC	24 V
Output voltage adjustable	no
Power rating AC max.	500 VA

Mechanical data | Mounting data

Suitable for mounting type	Schlüssellochaufhängung
Mounting dimension a	87 mm
Mounting dimension b	104 mm
Mounting dimension c	5,8 mm
Height	108 mm
Width	135 mm
Depth	133,6 mm
Diameter bore	5,8 mm
Length bore	10 mm

Environmental characteristics | Climatic

Operating temperature min.	-20 °C
Operating temperature max.	40 °C
Storage temperature min.	-40 °C
Storage temperature max.	80 °C

Conformity

Product standard	EN 61558-2-4, EN 61558-2-6, EN 62041 category 0
------------------	-------------------------------------------------