

MST 1-PHASE CONTROL AND ISOLATION TRANSFORMER

P: 2000VA IN: 208...550VAC OUT: 2x115VAC

Art.No.: 86153

Weight: 27.500 kg

Country of origin: CZ

Model designation: MST 2000-208...550/2x115

Single-phase - Control and Isolation Transformers

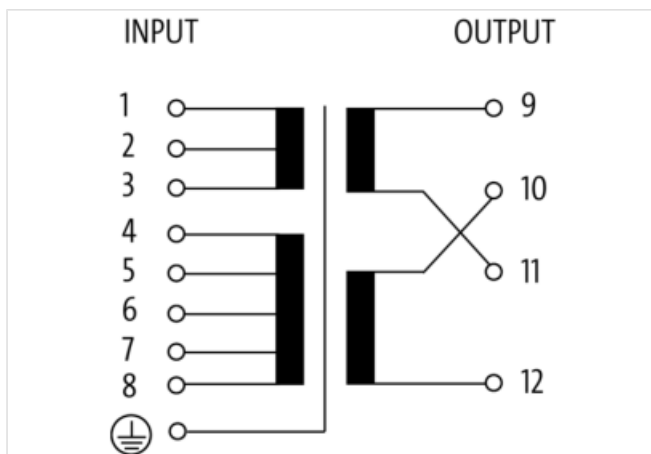
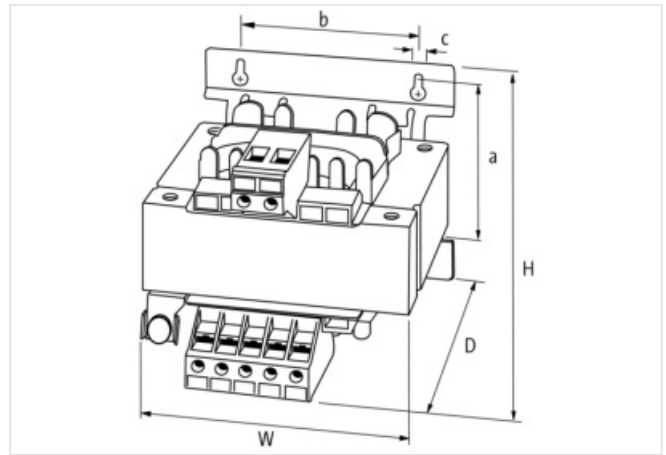
2000 VA

Isolation class T 40/B

Other voltages on request.

[Link to Product](#)

Illustration



Product may differ from Image



Commercial data

URL Webshop	https://shop.murrelektronik.com/86153
GTIN	4048879078702
Customs tariff number	85043200

ECLASS-6.0	27031302
ECLASS-6.1	27031302
ECLASS-7.0	27031302
ECLASS-7.1	27031302
ECLASS-8.0	27031302
ECLASS-8.1	27031302
ECLASS-9.0	27031302
ECLASS-9.1	27031302
ECLASS-10.0.1	27031302
ECLASS-10.1	27031302
ECLASS-11.0	27031302
ECLASS-11.1	27031302
ECLASS-12.0	27031302
ECLASS-13.0	27031302
ECLASS-14.0	27031302
ETIM-5.0	EC002486
ETIM-6.0	EC002486
ETIM-7.0	EC002486
ETIM-8.0	EC002486
customs tariff number	85043200
EAN	4048879078702
Packaging unit	1

Electrical data | Supply

Power frequency	50 ... 60 Hz
-----------------	--------------

Electrical data | Input

Input voltage AC	420, 208, 525, 550, 230, 380, 400, 440, 460, 480, 500
Nominal input voltage AC	208 V ... 550 V
Nominal current AC	10.2 A @ 208 V, 3.86 A @ 550 V
Inrush current at input voltage 1	179 A
Inrush current at input voltage 2	68 A
Short-circuit current at input voltage 1	473 A
Short-circuit current at input voltage 2	180 A

Electrical data | Output

Output voltage adjustable	Yes
Output voltage	1 × 230 / 1 × 115 / 2 × 115 V AC
Output voltage AC 1	230 V
Output voltage AC 2	115 V
Power rating AC max.	2.000 VA

Device protection | Electrical

Insulation test voltage input - output	4 kV
--	------

Mechanical data | Mounting data

Height	185 mm
Width	192 mm
Depth	185 mm
Suitable for mounting type	Keyhole mounting
Mounting dimension a	155 mm
Mounting dimension b	150 mm
Mounting dimension c	10 mm
Diameter bore	10 mm
Length bore	18 mm

Environmental characteristics | Climatic

Operating temperature min.	-20 °C
----------------------------	--------

Operating temperature max.	40 °C
Ambient temperature (storage, transport)	-40 °C ... 80 °C

Conformity

Product standard	EN IEC 61558-1, EN IEC 61558-2-4, IEC 62041 category 0
------------------	--

Connection types

Connection type 1	Input
Connection type 2	Input
Connection type 3	Output
Connection type 4	Output