

## MST 1-PHASE CONTROL AND ISOLATION TRANSFORMER

P: 1000VA IN: 208...550VAC OUT: 2x115VAC

Art.No.: 86151

Weight: 13.300 kg

Country of origin: CZ

Model designation: MST 1000-208...550/2x115

Single-phase - Control and Isolation Transformers

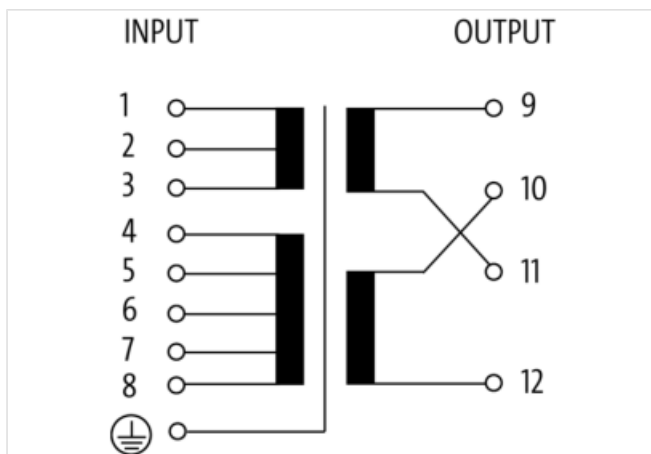
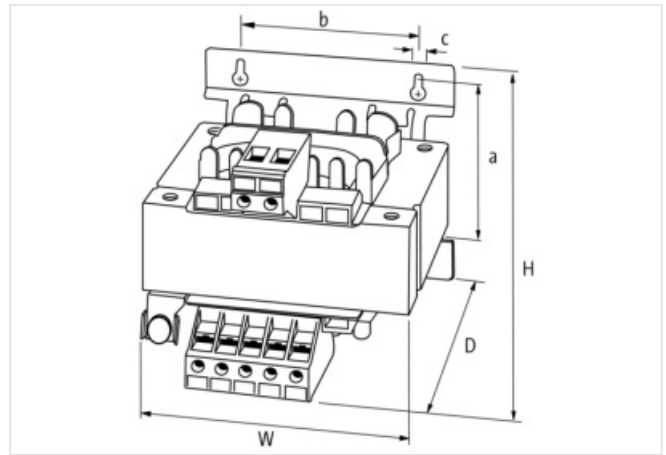
1000 VA

Isolation class T 40/B

Other voltages on request.

### [Link to Product](#)

#### Illustration



Product may differ from Image



#### Commercial data

URL Webshop	<a href="https://shop.murrelektronik.com/86151">https://shop.murrelektronik.com/86151</a>
GTIN	4048879078726
Customs tariff number	85043180

ECLASS-6.0	27031302
ECLASS-6.1	27031302
ECLASS-7.0	27031302
ECLASS-7.1	27031302
ECLASS-8.0	27031302
ECLASS-8.1	27031302
ECLASS-9.0	27031302
ECLASS-9.1	27031302
ECLASS-10.0.1	27031302
ECLASS-10.1	27031302
ECLASS-11.0	27031302
ECLASS-11.1	27031302
ECLASS-12.0	27031302
ECLASS-13.0	27031302
ECLASS-14.0	27031302
ETIM-5.0	EC002486
ETIM-6.0	EC002486
ETIM-7.0	EC002486
ETIM-8.0	EC002486
customs tariff number	85043180
EAN	4048879078726
Packaging unit	1

**Electrical data | Supply**

Power frequency	50 ... 60 Hz
-----------------	--------------

**Electrical data | Input**

Input voltage AC	420, 208, 525, 550, 230, 380, 400, 440, 460, 480, 500
Nominal input voltage AC	230 V ... 400 V
Nominal current AC	4.73 A @ 230 V, 2.72 A @ 400 V
Inrush current at input voltage 1	66 A
Inrush current at input voltage 2	38 A
Short-circuit current at input voltage 1	148 A
Short-circuit current at input voltage 2	85 A

**Electrical data | Output**

Output voltage adjustable	Yes
Output voltage	1 × 230 / 1 × 115 / 2 × 115 V AC
Output voltage AC 1	230 V
Output voltage AC 2	115 V
Power rating AC max.	1.000 VA

**Device protection | Electrical**

Insulation test voltage input - output	4 kV
--	------

**Mechanical data | Mounting data**

Height	128 mm
Width	174 mm
Depth	160 mm
Suitable for mounting type	Keyhole mounting
Mounting dimension a	102 mm
Mounting dimension b	135 mm
Mounting dimension c	7 mm
Diameter bore	7 mm
Length bore	11 mm

**Environmental characteristics | Climatic**

Operating temperature min.	-20 °C
----------------------------	--------

Operating temperature max.	40 °C
Ambient temperature (storage, transport)	-40 °C ... 80 °C

#### Conformity

Product standard	EN IEC 61558-1, EN IEC 61558-2-4, IEC 62041 category 0
------------------	--

#### Connection type 5

Connection type 1	Input
Connection type 2	Input
Connection type 3	Output
Connection type 4	Output
Family construction form	terminal
No. of poles	8
Gender	female
Connection	Screw terminals SK
PIN 1	1
PIN 2	2
PIN 3	3
PIN 4	4
PIN 5	5
PIN 6	6
PIN 7	7
PIN 8	8
Family construction form	terminal
No. of poles	8
Gender	female
Connection	Plug-in terminals RK
PIN 1	1
PIN 2	2
PIN 3	3
PIN 4	4
PIN 5	5
PIN 6	6
PIN 7	7
PIN 8	8
Family construction form	terminal
No. of poles	4
Gender	female
Connection	Screw terminals SK
PIN 1	9
PIN 2	10
PIN 3	11
PIN 4	12
Family construction form	terminal
No. of poles	4
Gender	female
Connection	Plug-in terminals RK
PIN 1	9
PIN 2	10
PIN 3	11
PIN 4	12
Family construction form	terminal
No. of poles	1
Gender	female
Color contact carrier	metallic

---

Connection	Screw terminals SK
PIN 1	PE