

MET 1-PHASE CONTROL AND ISOLATION TRANSFORMER

P: 4000VA IN: 400VAC+/- 5% OUT: 230VAC

Art.No.: 86111

Weight: 29.6

Country of origin: CZ

Model designation: MET 4000-400+-5%/230

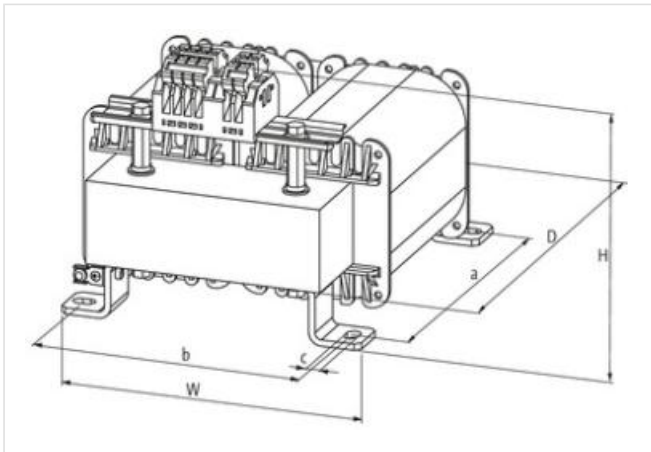
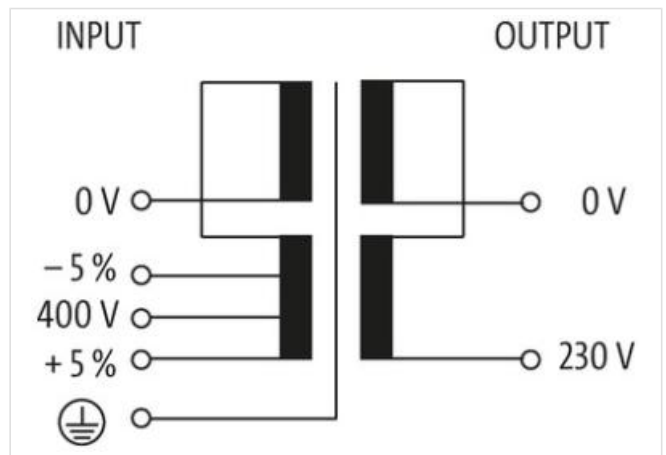
Single-phase - Control and Isolation Transformers

4000 VA

Isolation class T 40/B

[Link to Product](#)

Illustration



Product may differ from Image



Commercial data

ECLASS-6.0	27031302
ECLASS-6.1	27031302
ECLASS-7.0	27031302
ECLASS-8.0	27031302

ECLASS-9.0	27031302
ECLASS-10.1	27031302
ECLASS-11.1	27031302
ECLASS-12.0	27031302
ETIM-5.0	EC002486
customs tariff number	85043200
customs tariff number	85043200
GTIN	4048879078788
GTIN	4048879078788
Packaging unit	1
Packaging unit	1

Electrical data | Supply

Power frequency	50 ... 60 Hz
-----------------	--------------

Electrical data | Input

Input voltage AC	400 V
Input voltage AC min.	380 V
Input voltage AC max.	420 V
Current input AC	10,3 A
Max. inrush current	357 A
Short-circuit current	696 A

Electrical data | Output

Output voltage AC	230 V
Output voltage adjustable	no
Power rating AC max.	4000 VA

Device protection | Electrical

Insulation test voltage input - output	4 kV
--	------

Mechanical data | Mounting data

Suitable for mounting type	Long-hole mounting
Mounting dimension a	200 mm
Mounting dimension b	174 mm
Mounting dimension c	9 mm
Height	206 mm
Width	198 mm
Depth	250 mm
Diameter bore	9 mm
Length bore	14 mm

Environmental characteristics | Climatic

Operating temperature min.	-20 °C
Operating temperature max.	40 °C
Storage temperature min.	-40 °C
Storage temperature max.	80 °C

Conformity

Product standard	EN 61558-1, EN 61558-2-4, EN 62041 category 0
------------------	---