

MDD DC/DC-CONVERTOR SWITCH MODE

IN: 24VDC OUT: 2x15V/0,25ADC

Art.No.: 85659

Weight: 0.100 kg

Country of origin: CZ

Model designation: MDD 050-24/+15V

INPUT: 24 V DC

OUTPUT: ± 15 V DC

Output rating: 7 W

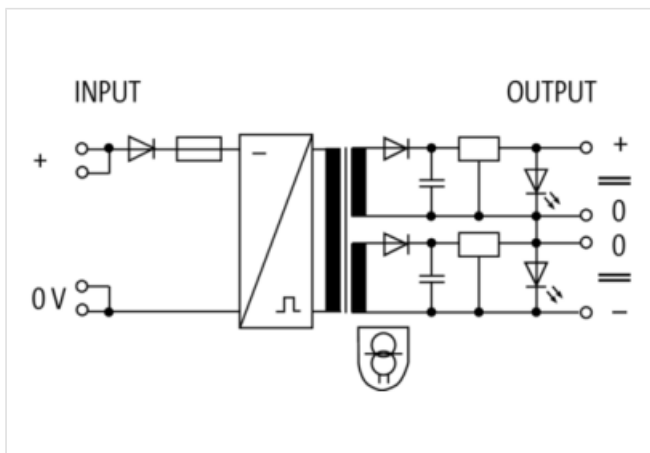
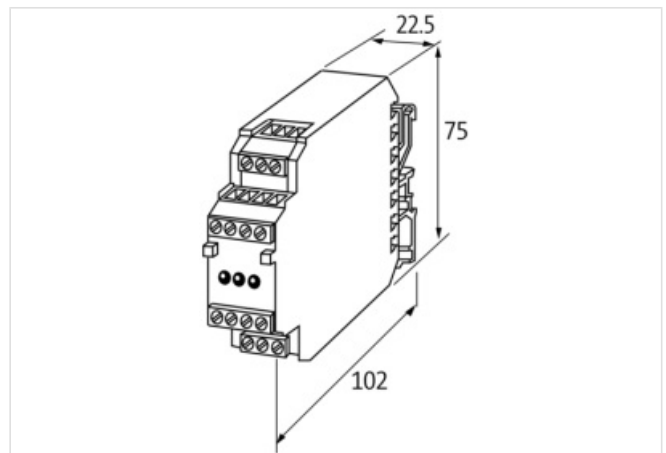
Current: 2x 0.25 A

Condensation not permitted

Restart after overload by removing supply voltage

[Link to Product](#)

Illustration



Product may differ from Image



Commercial data

URL Webshop

<https://shop.murrelektronik.com/85659>

GTIN	4048879079518
ECLASS-6.0	27210901
ECLASS-6.1	27210901
ECLASS-7.0	27210901
ECLASS-7.1	27210901
ECLASS-8.0	27210901
ECLASS-8.1	27210901
ECLASS-9.0	27210901
ECLASS-9.1	27210901
ECLASS-10.0.1	27210901
ECLASS-10.1	27210901
ECLASS-11.0	27210901
ECLASS-11.1	27210901
ECLASS-12.0	27210901
ECLASS-13.0	27210901
ECLASS-14.0	27210901
ETIM-5.0	EC002540
ETIM-6.0	EC002540
ETIM-7.0	EC002540
ETIM-8.0	EC002540
customs tariff number	85043121
EAN	4048879079518
Packaging unit	1

Electrical data | Supply

Security level	SELV
----------------	------

Electrical data | Input

Input voltage DC	24 V
Current input AC	0,85 A
Characteristic back-up fuse	Inertia
Fuse protection primary side internal	1,5 A

Electrical data | Output

Output voltage adjustable	No
Output voltage DC	15 V
Output voltage DC min.	14,25 V
Output voltage DC max.	15,75 V
Output current per channel max.	0,25 A
Ripple max.	0,2 %

Device protection | Electrical

Overload resistant	Yes
Short-circuit protected	Yes
Insulation test voltage input - output	4 kV

Mechanical data | Mounting data

Mounting method	geschnappt
Suitable for mounting type	Mounting rail TH35, (EN 60715), G32

Environmental characteristics | Climatic

Operating temperature min.	0 °C
Operating temperature max.	50 °C

Conformity

Product standard	EN 61204-3
------------------	------------