

EMPARRO CAP BUFFER MODULE

IN: 24VDC OUT: 24VDC/20A for max. 1A/40s

Art.No.: 85458

Weight: 0.781 kg

Country of origin: DE

Model designation: Emparro Cap 20/24 1A/40s

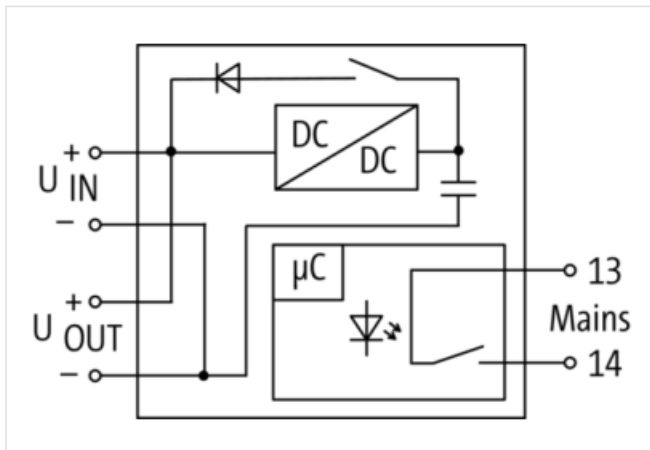
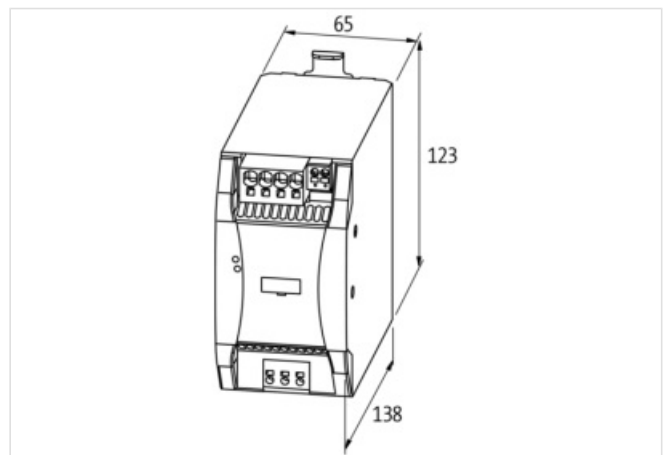
INPUT: 24 V DC (SELV/PELV)

OUTPUT: max. 20 A

1.0 s (20 A); 40 s (1 A)

Link to Product

Illustration



Product may differ from Image



Commercial data

URL Webshop	https://shop.murrelektronik.com/85458
GTIN	4048879436700
Customs tariff number	85322900
ECLASS-6.0	27049190

ECLASS-6.1	27049002
ECLASS-7.0	27049002
ECLASS-7.1	27049002
ECLASS-8.0	27049002
ECLASS-8.1	27049002
ECLASS-9.0	27040705
ECLASS-9.1	27040705
ECLASS-10.0.1	27040705
ECLASS-10.1	27040705
ECLASS-11.0	27040705
ECLASS-11.1	27040705
ECLASS-12.0	27040705
ECLASS-13.0	27040705
ECLASS-14.0	27040705
ETIM-5.0	EC002584
ETIM-6.0	EC002584
ETIM-7.0	EC002584
ETIM-8.0	EC002584
customs tariff number	85322900
EAN	4048879436700
Packaging unit	1

Electrical data | Input

Input voltage DC min.	21,6 V
Input voltage DC max.	26,4 V
Max. inrush current	25 A
Charging current max.	3 A
Charging time max.	75 s
Efficiency	90 %

Electrical data | Output

Output voltage adjustable	Yes
Output voltage DC min.	19 V
Output voltage DC max.	25,5 V
Output current max.	20 A
Output current buffer operation	65 A
Buffer time min.	1 s @ 20 A
Buffer time max.	40 s @ 1 A

Mechanical data | Mounting data

Height	123 mm
Width	65 mm
Depth	138 mm
Mounting method	geschnappt
Suitable for mounting type	(EN 60715), Tragschiene TH35-7.5/TH35-15

Environmental characteristics | Electromagnetic compatibility

Emission standard for industrial environments (IEC 61000-6-4)	compliant
Immunity standard for industrial environments (IEC 61000-6-2)	compliant

Environmental characteristics | Climatic

Operating temperature min.	-40 °C
Operating temperature max.	60 °C
Ambient temperature (storage, transport)	-40 °C ... 60 °C

Connection type 2

Connection type 1	Alarm
Connection type 2	Input / Output
Family construction form	terminal
No. of poles	2
Gender	female
Color contact carrier	green
Connection	Spring clamp terminals FK
PIN 1	13
PIN 2	14
Family construction form	terminal
No. of poles	4
Gender	female
Color contact carrier	green
Connection	Spring clamp terminals FK
PIN 1	-
PIN 2	-
PIN 3	+
PIN 4	+