

MCS-B POWER SUPPLY 1-PHASE,

IN: 100-265VAC OUT: 24V/10ADC

Art.No.: 85165

Weight: 0.831

Country of origin: CZ

Model designation: MCS-B 10-110-240/24

INPUT: 100...265 V AC

OUTPUT: 24 V DC +3/-1%

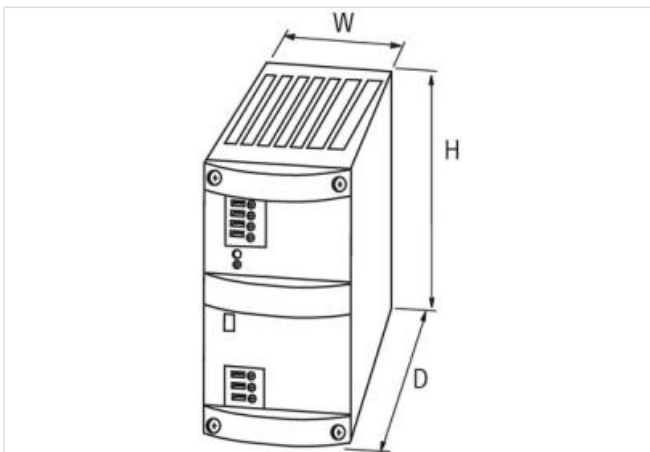
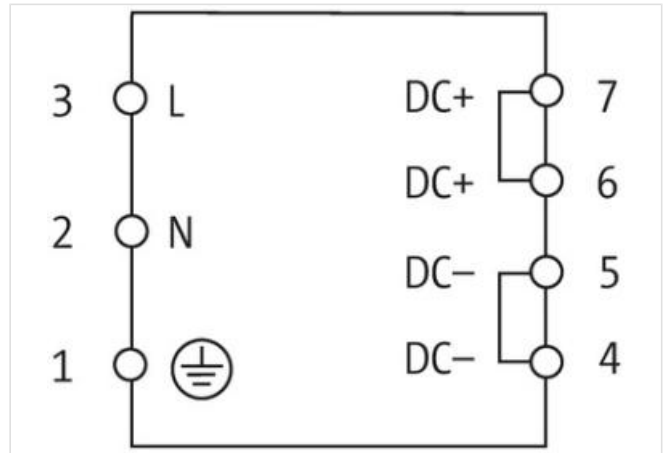
Current: 10 A

Mains failure bridging min.

min. 15 ms (115 V AC); min. 115 ms (230 V AC)

[Link to Product](#)

Illustration



Product may differ from Image



Commercial data

ECLASS-6.0

27049002

ECLASS-6.1	27049002
ECLASS-7.0	27049002
ECLASS-8.0	27049002
ECLASS-9.0	27040701
ECLASS-10.1	27040701
ECLASS-11.1	27040701
ECLASS-12.0	27040701
ETIM-5.0	EC002540
customs tariff number	85044083
customs tariff number	85044083
GTIN	4048879080354
GTIN	4048879080354
Packaging unit	1
Packaging unit	1

Electrical data

Number of devices parallel connection max.	5
Number of devices series connection max.	2
Parallel connection	yes
Series connection	yes
Security level	SELV

Electrical data | Supply

Power frequency	50 ... 60 Hz
-----------------	--------------

Electrical data | Input

Input voltage AC min.	100 V
Input voltage AC max.	265 V
Input voltage 1 AC	115 V
Input voltage 2 AC	230 V
Input current at input voltage 1 AC	3,4 A
Input current at input voltage 2 AC	2,2 A
Inrush current max.	40 A
External back-up fuse per phase max.	16 A
Efficiency	83 % @ 115 V AC, 85 % @ 230 V AC

Electrical data | Output

Output voltage DC	24 V
Output voltage DC min.	22 V
Output voltage DC max.	28 V
Output voltage adjustable	yes
Output current	10 A
Ripple effective max.	20 mV
Spikes (s-s) max.	100 mV

Device protection | Electrical

Overload protection output	yes
Short-circuit protection output	yes

Mechanical data | Mounting data

Mounting method	geschnappt
Suitable for mounting type	Mounting rail TH35, (EN 60715)
Height	128 mm
Width	68 mm
Depth	165 mm

Environmental characteristics | Climatic

Operating temperature min.	-25 °C
----------------------------	--------

Operating temperature max.	40 °C
Derating from	40 °C
Storage temperature min.	-25 °C
Storage temperature max.	85 °C
Relative humidity min. (operation)	5 %
Relative humidity max. (operation)	95 % no condensation

Connection type 2

Connection	Spring clamp terminals FK
Family construction form	terminal
Gender	female
Color contact carrier	green
No. of poles	3
PIN 1	PE
PIN 2	N
PIN 3	L
Connection	Spring clamp terminals FK
Family construction form	terminal
Gender	female
Color contact carrier	green
No. of poles	4
PIN 1	-
PIN 2	-
PIN 3	+
PIN 4	+