

ECO-POWER POWER SUPPLY 1-PHASE,

IN: 90-132 VAC/180-264 VAC OUT: 24V/10ADC

Art.No.: 85155

Weight: 1.100 kg

Country of origin: CN

Model designation: Eco-Power 10-100-240/24 30

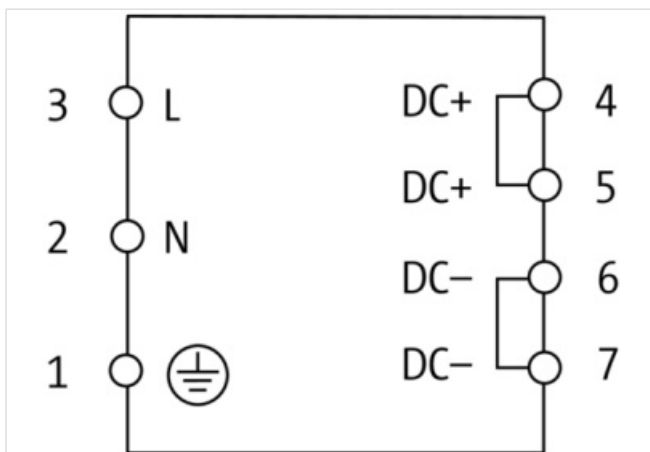
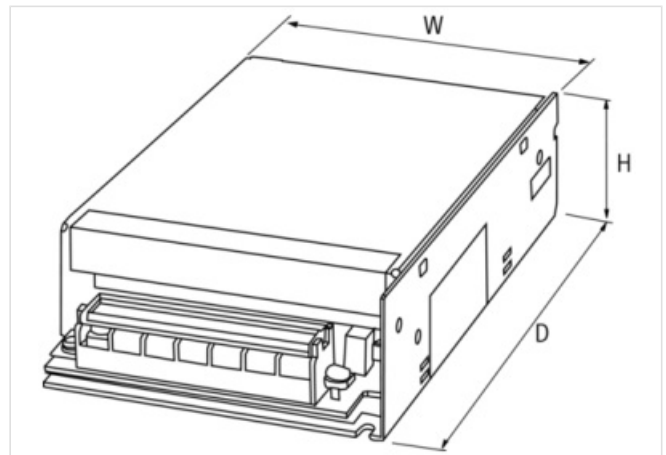
INPUT: 100...120 V AC/200...240 V AC

OUTPUT: 24 V DC $\pm 1\%$

Current: 10 A

Mains failure bridging min.

min. 15 ms (115 V AC); min. 15 ms (230 V AC)

[Link to Product](#)**Illustration**

Product may differ from Image

**Commercial data**

URL Webshop

<https://shop.murrelektronik.com/85155>

GTIN

4048879080408

ECLASS-6.0	27049002
ECLASS-6.1	27049002
ECLASS-7.0	27049002
ECLASS-7.1	27049002
ECLASS-8.0	27049002
ECLASS-8.1	27049002
ECLASS-9.0	27040701
ECLASS-9.1	27040701
ECLASS-10.0.1	27040701
ECLASS-10.1	27040701
ECLASS-11.0	27040701
ECLASS-11.1	27040701
ECLASS-12.0	27040701
ECLASS-13.0	27040701
ECLASS-14.0	27040701
ETIM-5.0	EC002540
ETIM-6.0	EC002540
ETIM-7.0	EC002540
ETIM-8.0	EC002540
customs tariff number	85044083
EAN	4048879080408
Packaging unit	1

Electrical data

Parallel connection	No
Series connection	Yes
Number of devices series connection max.	2

Electrical data | Supply

Power frequency	50 ... 60 Hz
-----------------	--------------

Electrical data | Input

Nominal input voltage AC	115 V ... 230 V
Input voltage 1 AC min.	100 V
Input voltage 1 AC max.	120 V
Input voltage 2 AC min.	200 V
Input voltage 2 AC max.	240 V
Nominal current AC	4.6 A @ 115 V, 2.8 A @ 230 V
Inrush current max.	20 A
Efficiency	84 % @ 115 V AC 85 % @ 230 V AC
External back-up fuse per phase max.	16 A

Electrical data | Output

Output voltage adjustable	No
Output voltage DC	24 V
Output voltage DC min.	23,76 V
Output voltage DC max.	24,24 V
Output current	10 A
Spikes (s-s) max.	200 mV
Ripple effective max.	30 mV

Installation | Connection

Mounting set	M4
--------------	----

Device protection | Electrical

Overload protection output	Yes
Short-circuit protection output	Yes

Mechanical data | Mounting data

Height	50 mm
Width	115 mm
Depth	230 mm
Mounting method	screwed

Environmental characteristics | Electromagnetic compatibility

Interference emission	EN 55011
-----------------------	----------

Environmental characteristics | Climatic

Operating temperature min.	0 °C
Operating temperature max.	40 °C
Derating	40 °C
Ambient temperature (storage, transport)	-20 °C ... 85 °C
Relative humidity (operation)	20 % ... 90 %
Additional condition relative humidity	no condensation

Conformity

Product standard	EN IEC 61010-2-201, EN 61204-3
------------------	--------------------------------