

ECO-POWER POWER SUPPLY 1-PHASE,

IN: 90-132 VAC/180-264 VAC OUT: 24V/7,5ADC

Art.No.: 85154

Weight: 0.830 kg

Country of origin: CN

Model designation: Eco-Power 7.5-100-240/24

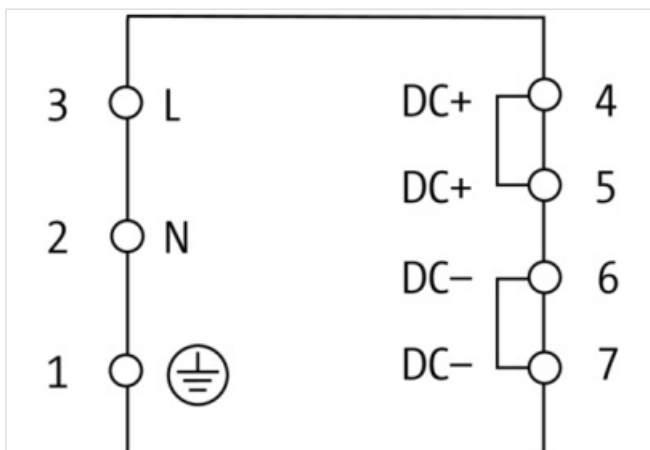
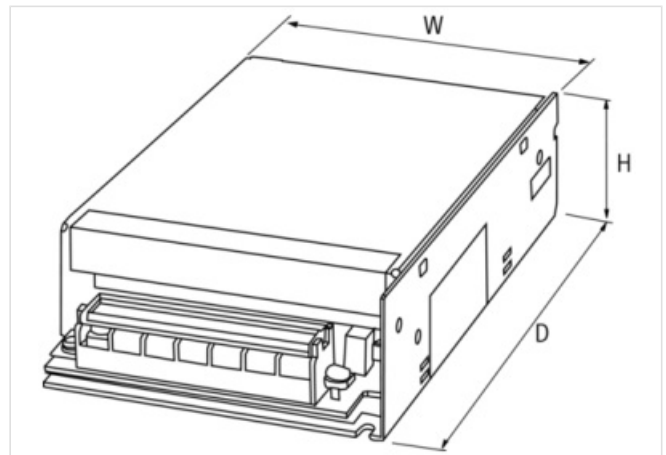
INPUT: 100...120 V AC/200...240 V AC

OUTPUT: 24 V DC $\pm 1\%$

Current: 7.5 A

Mains failure bridging min.

min. 20 ms (115 V AC); min. 20 ms (230 V AC)

Link to Product**Illustration**

Product may differ from Image

**Commercial data**

URL Webshop

<https://shop.murrelektronik.com/85154>

GTIN

4048879080415

Customs tariff number	85044083
ECLASS-6.0	27049002
ECLASS-6.1	27049002
ECLASS-7.0	27049002
ECLASS-7.1	27049002
ECLASS-8.0	27049002
ECLASS-8.1	27049002
ECLASS-9.0	27040701
ECLASS-9.1	27040701
ECLASS-10.0.1	27040701
ECLASS-10.1	27040701
ECLASS-11.0	27040701
ECLASS-11.1	27040701
ECLASS-12.0	27040701
ECLASS-13.0	27040701
ECLASS-14.0	27040701
ETIM-5.0	EC002540
ETIM-6.0	EC002540
ETIM-7.0	EC002540
ETIM-8.0	EC002540
customs tariff number	85044083
EAN	4048879080415
Packaging unit	1

Electrical data

Parallel connection	No
Series connection	Yes
Number of devices series connection max.	2

Electrical data | Supply

Power frequency	50 ... 60 Hz
-----------------	--------------

Electrical data | Input

Nominal input voltage AC	115 V ... 230 V
Input voltage 1 AC min.	100 V
Input voltage 1 AC max.	120 V
Input voltage 2 AC min.	200 V
Input voltage 2 AC max.	240 V
Nominal current AC	3.4 A @ 115 V, 1.9 A @ 230 V
Inrush current max.	20 A
Efficiency	85 % @ 115 V AC 86 % @ 230 V AC
External back-up fuse per phase max.	16 A

Electrical data | Output

Output voltage adjustable	No
Output voltage DC	24 V
Output voltage DC min.	23,76 V
Output voltage DC max.	24,24 V
Output current	7,5 A
Spikes (s-s) max.	100 mV
Ripple effective max.	50 mV

Installation | Connection

Mounting set	M3x31
--------------	-------

Device protection | Electrical

Overload protection output	Yes
Short-circuit protection output	Yes

Mechanical data | Mounting data

Height	50 mm
Width	100 mm
Depth	205 mm
Mounting method	screwed

Environmental characteristics | Electromagnetic compatibility

Interference emission	EN 55011
-----------------------	----------

Environmental characteristics | Climatic

Operating temperature min.	0 °C
Operating temperature max.	40 °C
Derating	40 °C
Ambient temperature (storage, transport)	-20 °C ... 85 °C
Relative humidity (operation)	20 % ... 90 %
Additional condition relative humidity	no condensation

Conformity

Product standard	EN IEC 61010-2-201, EN 61204-3
------------------	--------------------------------