

ECO-POWER POWER SUPPLY 1-PHASE,

IN: 90-264 VAC OUT: 24V/2,5ADC

Art.No.: 85152

Weight: 0.430 kg

Country of origin: CN

Model designation: Eco-Power 2.5-100-240/24

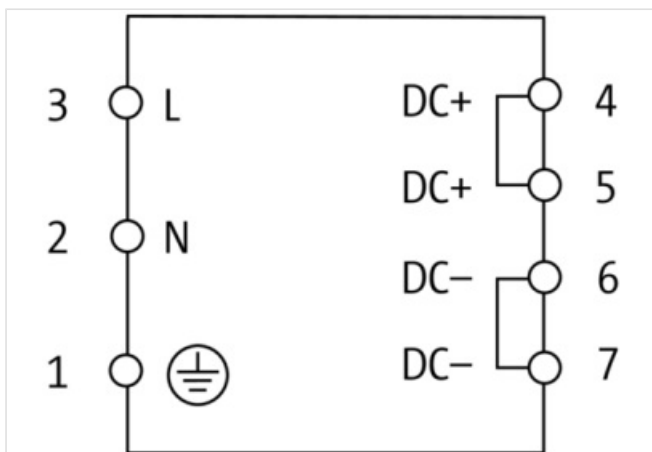
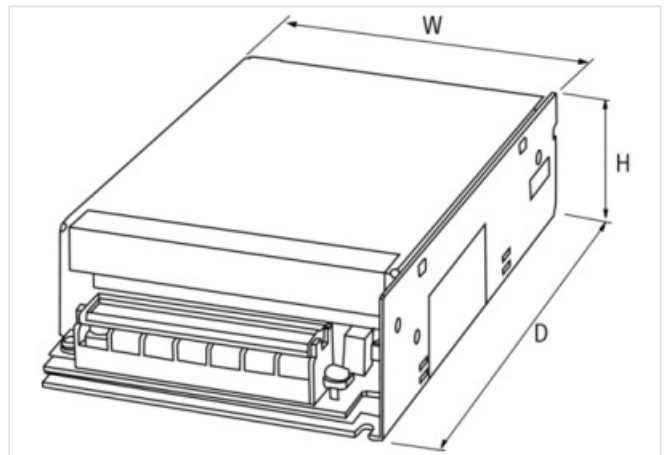
INPUT: 100...240 V AC

OUTPUT: 24 V DC $\pm 1\%$

Current: 2.5 A

Mains failure bridging min.

min. 10 ms (115 V AC); min. 90 ms (230 V AC)

Link to Product**Illustration**

Product may differ from Image

**Commercial data**

URL Webshop

<https://shop.murrelektronik.com/85152>

GTIN

4048879080439

Customs tariff number	85044083
ECLASS-6.0	27049002
ECLASS-6.1	27049002
ECLASS-7.0	27049002
ECLASS-7.1	27049002
ECLASS-8.0	27049002
ECLASS-8.1	27049002
ECLASS-9.0	27040701
ECLASS-9.1	27040701
ECLASS-10.0.1	27040701
ECLASS-10.1	27040701
ECLASS-11.0	27040701
ECLASS-11.1	27040701
ECLASS-12.0	27040701
ECLASS-13.0	27040701
ECLASS-14.0	27040701
ETIM-5.0	EC002540
ETIM-6.0	EC002540
ETIM-7.0	EC002540
ETIM-8.0	EC002540
customs tariff number	85044083
EAN	4048879080439
Packaging unit	1

Electrical data

Parallel connection	No
Series connection	Yes
Number of devices series connection max.	2

Electrical data | Supply

Power frequency	50 ... 60 Hz
-----------------	--------------

Electrical data | Input

Input voltage AC min.	100 V
Input voltage AC max.	240 V
Nominal input voltage AC	115 V ... 230 V
Nominal current AC	1.2 A @ 115 V, 0.5 A @ 230 V
Inrush current max.	20 A
Efficiency	85 % @ 115 V AC 87 % @ 230 V AC
External back-up fuse per phase max.	16 A

Electrical data | Output

Output voltage adjustable	No
Output voltage DC	24 V
Output voltage DC min.	23,76 V
Output voltage DC max.	24,24 V
Output current	2,5 A
Spikes (s-s) max.	100 mV
Ripple effective max.	20 mV

Installation | Connection

Mounting set	M3x31
--------------	-------

Device protection | Electrical

Overload protection output	Yes
Short-circuit protection output	Yes

Mechanical data | Mounting data

Height	40 mm
Width	98 mm
Depth	135 mm
Mounting method	screwed

Environmental characteristics | Electromagnetic compatibility

Interference emission	EN 55011
-----------------------	----------

Environmental characteristics | Climatic

Operating temperature min.	0 °C
Operating temperature max.	40 °C
Derating	40 °C
Ambient temperature (storage, transport)	-20 °C ... 85 °C
Relative humidity (operation)	20 % ... 90 %
Additional condition relative humidity	no condensation

Conformity

Product standard	EN IEC 61010-2-201, EN 61204-3
------------------	--------------------------------