

**ECO-POWER POWER SUPPLY 1-PHASE,**

IN: 90-264 VAC OUT: 24V/1,3ADC

Art.No.: 85151

Weight: 0.240 kg

Country of origin: CN

Model designation: Eco-Power 1.3-100-240/24

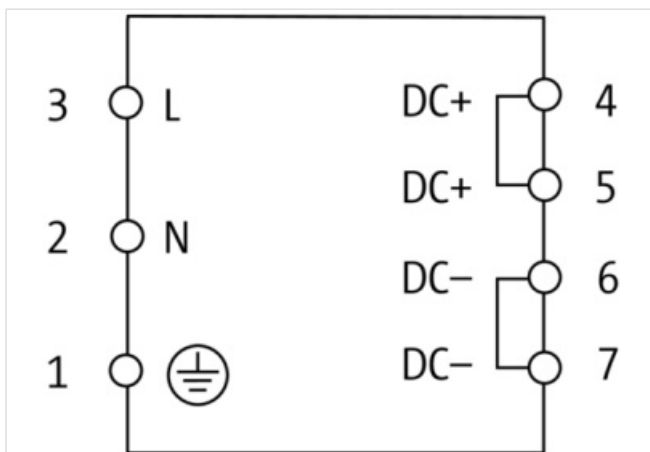
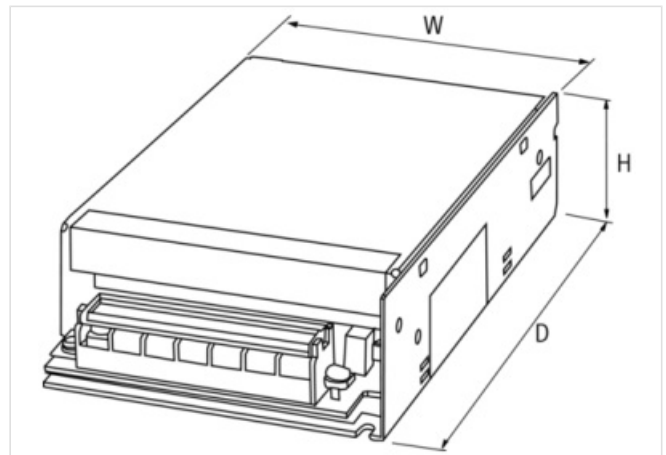
INPUT: 90...264 V AC

OUTPUT: 24 V DC  $\pm 1\%$ 

Current: 1.3 A

Mains failure bridging min.

min. 10 ms (115 V AC); min. 90 ms (230 V AC)

**Link to Product****Illustration**

Product may differ from Image

**Commercial data**

URL Webshop

<https://shop.murrelektronik.com/85151>

GTIN

4048879080446

Customs tariff number	85044083
ECLASS-6.0	27049002
ECLASS-6.1	27049002
ECLASS-7.0	27049002
ECLASS-7.1	27049002
ECLASS-8.0	27049002
ECLASS-8.1	27049002
ECLASS-9.0	27040701
ECLASS-9.1	27040701
ECLASS-10.0.1	27040701
ECLASS-10.1	27040701
ECLASS-11.0	27040701
ECLASS-11.1	27040701
ECLASS-12.0	27040701
ECLASS-13.0	27040701
ECLASS-14.0	27040701
ETIM-5.0	EC002540
ETIM-6.0	EC002540
ETIM-7.0	EC002540
ETIM-8.0	EC002540
customs tariff number	85044083
EAN	4048879080446
Packaging unit	1

**Electrical data**

Parallel connection	No
Series connection	Yes
Number of devices series connection max.	2

**Electrical data | Supply**

Power frequency	50 ... 60 Hz
-----------------	--------------

**Electrical data | Input**

Input voltage AC min.	100 V
Input voltage AC max.	240 V
Nominal input voltage AC	115 V ... 230 V
Nominal current AC	0.7 A @ 115 V, 0.4 A @ 230 V
Inrush current max.	20 A
Efficiency	85 % @ 115 V AC 85 % @ 230 V AC
External back-up fuse per phase max.	16 A

**Electrical data | Output**

Output voltage adjustable	No
Output voltage DC	24 V
Output voltage DC min.	23,76 V
Output voltage DC max.	24,24 V
Output current	1,3 A
Spikes (s-s) max.	100 mV
Ripple effective max.	20 mV

**Installation | Connection**

Mounting set	M3x31
--------------	-------

**Device protection | Electrical**

Overload protection output	Yes
Short-circuit protection output	Yes

**Mechanical data | Mounting data**

Height	36 mm
Width	77 mm
Depth	105 mm
Mounting method	screwed

**Environmental characteristics | Electromagnetic compatibility**

Interference emission	EN 55011
-----------------------	----------

**Environmental characteristics | Climatic**

Operating temperature min.	0 °C
Operating temperature max.	40 °C
Derating	40 °C
Ambient temperature (storage, transport)	-20 °C ... 85 °C
Relative humidity (operation)	20 % ... 90 %
Additional condition relative humidity	no condensation

**Conformity**

Product standard	EN IEC 61010-2-201, EN 61204-3
------------------	--------------------------------