

MCS POWER SUPPLY 1-PHASE,

IN: 185-265VAC OUT: 24-28V/10ADC

Art.No.: 85085

Weight: 1.150 kg

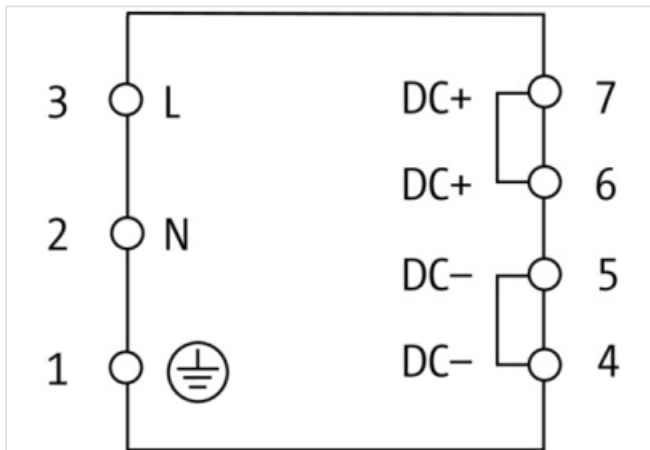
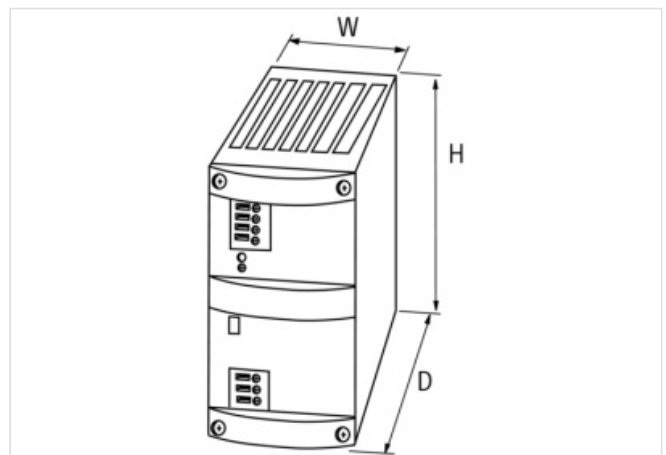
Country of origin: CZ

Model designation: MCS 10-230/24

INPUT: 185...265 V AC

OUTPUT: 24...28 V DC

Current: 10 A

[Link to Product](#)**Illustration**

Product may differ from Image

**Commercial data**

URL Webshop	https://shop.murrelektronik.com/85085
GTIN	4048879080521
ECLASS-6.0	27049002
ECLASS-6.1	27049002

The information in this Product-PDF has been compiled with the utmost care.

Liability for the correctness completeness and topicality of the information is restricted to gross negligence. Version: 2026-03-16

Murrelektronik GmbH | Grabenstraße 29 | 71570 Oppenweiler | Fon +49 (71 91) 47-0 | Fax +49 (71 91) 47-491000 | shop@murrelektronik.com | shop.murrelektronik.com

ECLASS-7.0	27049002
ECLASS-7.1	27049002
ECLASS-8.0	27049002
ECLASS-8.1	27049002
ECLASS-9.0	27040701
ECLASS-9.1	27040701
ECLASS-10.0.1	27040701
ECLASS-10.1	27040701
ECLASS-11.0	27040701
ECLASS-11.1	27040701
ECLASS-12.0	27040701
ECLASS-13.0	27040701
ECLASS-14.0	27040701
ETIM-5.0	EC002540
ETIM-6.0	EC002540
ETIM-7.0	EC002540
ETIM-8.0	EC002540
customs tariff number	85044083
EAN	4048879080521
Packaging unit	1

Electrical data

Parallel connection	Yes
Series connection	Yes

Electrical data | Supply

Security level	SELV
Power frequency	50 ... 60 Hz

Electrical data | Input

Input voltage AC	230 V
Input voltage AC min.	185 V
Input voltage AC max.	265 V
Current input AC	2,1 A
Inrush current max.	25 A
Efficiency	90 %
External back-up fuse per phase max.	10 A

Electrical data | Output

Output voltage adjustable	Yes
Output voltage DC	24 V
Output voltage DC min.	24 V
Output voltage DC max.	28 V
Output current	10 A
Output current (UL)	12 A
Selectable switch-off mode	front sided plug link (automatic re-start or definite shut-off)
Spikes (s-s) max.	200 mV
Ripple effective max.	20 mV

Device protection | Electrical

Overload protection output	Yes
Short-circuit protection output	Yes

Mechanical data | Mounting data

Height	127 mm
Width	68 mm
Depth	160 mm

Mounting method	geschnappt
Suitable for mounting type	Mounting rail TH35, (EN 60715)

Environmental characteristics | Electromagnetic compatibility

Interference emission	IEC/EN 55022
-----------------------	--------------

Environmental characteristics | Climatic

Operating temperature min.	0 °C
Operating temperature max.	60 °C
Ambient temperature (storage, transport)	-25 °C ... 85 °C
Relative humidity (operation)	5 % ... 95 %
Additional condition relative humidity	no condensation

Conformity

Product standard	EN IEC 61010-2-201, EN 61204-3
------------------	--------------------------------

Connection type 2

Family construction form	terminal
No. of poles	3
Gender	female
Color contact carrier	green
Connection	Spring clamp terminals FK
PIN 1	PE
PIN 2	N
PIN 3	L
Family construction form	terminal
No. of poles	4
Gender	female
Color contact carrier	green
Connection	Spring clamp terminals FK
PIN 1	-
PIN 2	-
PIN 3	+
PIN 4	+