

MCS POWER SUPPLY 1-PHASE,

IN: 185-265VAC OUT: 24-28V/5ADC

Art.No.: 85083

Weight: 0.680 kg

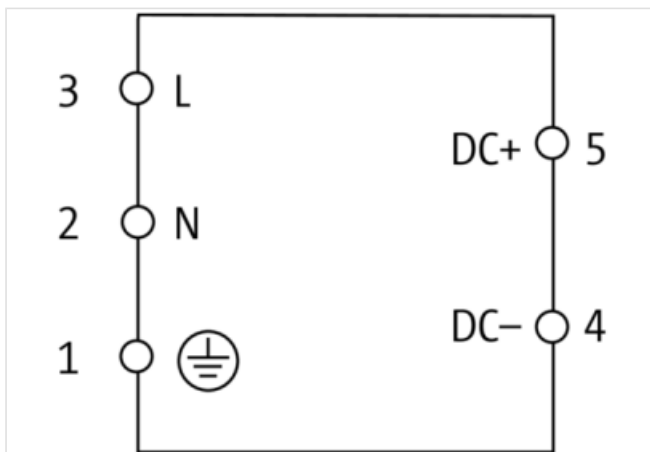
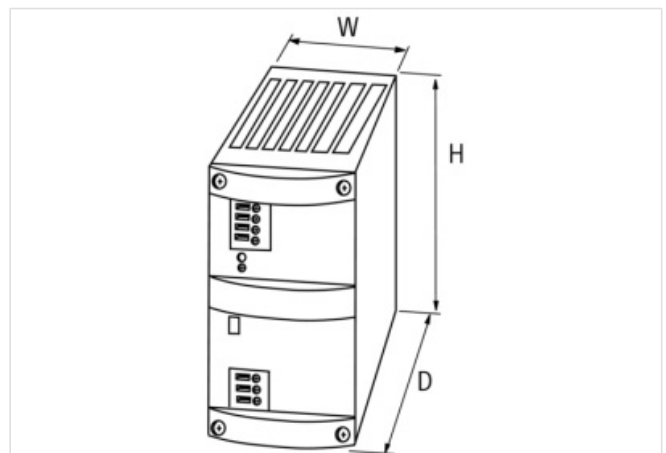
Country of origin: CZ

Model designation: MCS 5-230/24

INPUT: 185...265 V AC

OUTPUT: 24...28 V DC

Current: 5 A

[Link to Product](#)**Illustration**

Product may differ from Image

**Commercial data**

URL Webshop	https://shop.murrelektronik.com/85083
GTIN	4048879080545
Customs tariff number	85044083
ECLASS-6.0	27049002

The information in this Product-PDF has been compiled with the utmost care.

Liability for the correctness completeness and topicality of the information is restricted to gross negligence. Version: 2026-05-15

Murrelektronik GmbH | Grabenstraße 29 | 71570 Oppenweiler | Fon +49 (71 91) 47-0 | Fax +49 (71 91) 47-491000 | shop@murrelektronik.com | shop.murrelektronik.com

ECLASS-6.1	27049002
ECLASS-7.0	27049002
ECLASS-7.1	27049002
ECLASS-8.0	27049002
ECLASS-8.1	27049002
ECLASS-9.0	27040701
ECLASS-9.1	27040701
ECLASS-10.0.1	27040701
ECLASS-10.1	27040701
ECLASS-11.0	27040701
ECLASS-11.1	27040701
ECLASS-12.0	27040701
ECLASS-13.0	27040701
ECLASS-14.0	27040701
ETIM-5.0	EC002540
ETIM-6.0	EC002540
ETIM-7.0	EC002540
ETIM-8.0	EC002540
customs tariff number	85044083
EAN	4048879080545
Packaging unit	1
Electrical data	
Parallel connection	Yes
Series connection	Yes
Electrical data Supply	
Protective measure	SELV
Power frequency	50 ... 60 Hz
Electrical data Input	
Input voltage AC	230 V
Input voltage AC min.	185 V
Input voltage AC max.	265 V
Current input AC	1,1 A
Inrush current max.	35 A
Efficiency	84 %
External back-up fuse per phase max.	10 A
Electrical data Output	
Output voltage adjustable	Yes
Output voltage DC	24 V
Output voltage DC min.	24 V
Output voltage DC max.	28 V
Output current	5 A
Output current (UL)	6 A
Selectable switch-off mode	front sided plug link (automatic re-start or definite shut-off)
Mains failure bridging min.	20 ms @ 230 V AC
Spikes (s-s) max.	80 mV
Ripple effective max.	20 mV
Device protection Electrical	
Overload protection output	Yes
Short-circuit protection output	Yes
Mechanical data Mounting data	
Height	115 mm
Width	54 mm

Depth	125 mm
Mounting method	geschnappt
Suitable for mounting type	Mounting rail TH35, (EN 60715)

Environmental characteristics | Electromagnetic compatibility

Interference emission	IEC/EN 55022
-----------------------	--------------

Environmental characteristics | Climatic

Operating temperature min.	0 °C
Operating temperature max.	60 °C
Ambient temperature (storage, transport)	-25 °C ... 85 °C
Relative humidity (operation)	5 % ... 95 %
Additional condition relative humidity	no condensation

Conformity

Product standard	EN IEC 61010-2-201, EN 61204-3
------------------	--------------------------------

Connection type 2

Family construction form	terminal
No. of poles	2
Gender	female
Color contact carrier	green
Connection	Spring clamp terminals FK
PIN 1	-
PIN 2	+
Family construction form	terminal
No. of poles	3
Gender	female
Color contact carrier	green
Connection	Spring clamp terminals FK
PIN 1	PE
PIN 2	N
PIN 3	L