

MPS POWER SUPPLY 1-PHASE,

IN: 185-265VAC OUT: 22-28V/20ADC

Art.No.: 85057

Weight: 2.966

Country of origin: CZ

Model designation: MPS 20-230/24

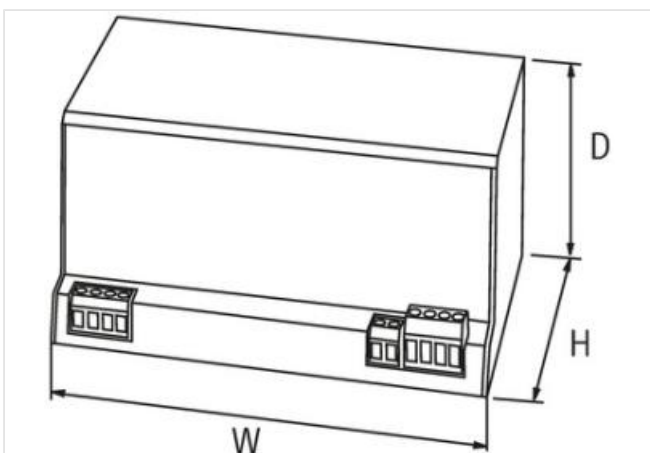
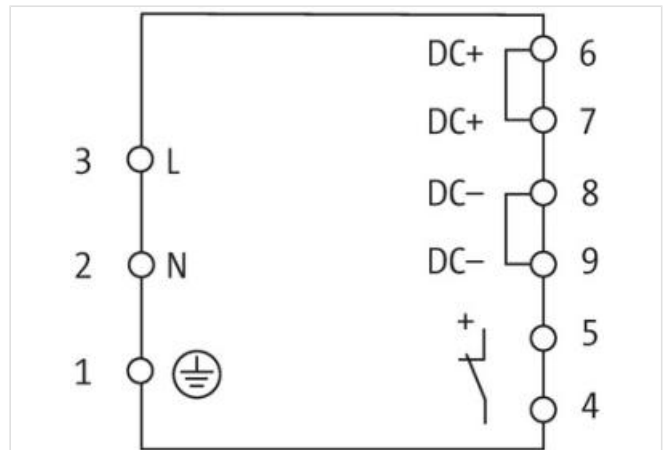
INPUT: 185...265 V AC

OUTPUT: 22...28 V DC

Current: 20 A

Single-phase, primary switched

Protection IP20

Units decoupling through diode block at parallel usage.
additional mounting feet for screw mounting part no. 89500[Link to Product](#)**Illustration**

Product may differ from Image

**Commercial data**

The information in this Product-PDF has been compiled with the utmost care.

Liability for the correctness completeness and topicality of the information is restricted to gross negligence. Version: 2025-04-30

Murrelektronik GmbH | Grabenstraße 29 | 71570 Oppenweiler | Fon +49 (71 91) 47-0 | Fax +49 (71 91) 47-491000 | shop@murrelektronik.com | shop.murrelektronik.com

ECLASS-6.0	27049002
ECLASS-6.1	27049002
ECLASS-7.0	27049002
ECLASS-8.0	27049002
ECLASS-9.0	27040701
ECLASS-10.1	27040701
ECLASS-11.1	27040701
ECLASS-12.0	27040701
ETIM-5.0	EC002540
customs tariff number	85044083
customs tariff number	85044083
GTIN	4048879080699
GTIN	4048879080699
Packaging unit	1
Packaging unit	1

Electrical data

Parallel connection	yes
Series connection	yes
Security level	SELV

Electrical data | Supply

Power frequency	50 ... 60 Hz
-----------------	--------------

Electrical data | Input

Input voltage AC min.	185 V
Input voltage AC max.	265 V
Current input AC	4 A
External back-up fuse per phase max.	16 A
Efficiency	90 %

Electrical data | Output

Output voltage DC	24 V
Output voltage DC min.	22 V
Output voltage DC max.	28 V
Output voltage adjustable	yes
Output current	20 A
Output current (UL)	24 A
Mains failure bridging min.	10 ms @ 230 V AC
Ripple effective max.	20 mV
Spikes (s-s) max.	100 mV

Diagnostics

Alarm contact	yes
Alarm contact message type	group alarm
Alarm contact message content	all failures, all forewarnings, reset via the green button
Alarm contact triggers @	60 V DC / 0.2 A

Device protection | Electrical

Overload protection output	yes
Short-circuit protection output	yes

Mechanical data | Mounting data

Mounting method	geschnappt
Suitable for mounting type	Mounting rail TH35, (EN 60715)
Height	132 mm
Width	243 mm
Depth	123 mm

Environmental characteristics | Climatic

Operating temperature min.	0 °C
Operating temperature max.	60 °C
Storage temperature min.	-25 °C
Storage temperature max.	85 °C
Relative humidity min. (operation)	5 %
Relative humidity max. (operation)	95 % no condensation

Connection type 3

Connection	Screw terminals SK
Family construction form	terminal
Gender	female
Color contact carrier	green
No. of poles	2
PIN 1	Signal
PIN 2	Signal +
Connection	Screw terminals SK
Family construction form	terminal
Gender	female
Color contact carrier	green
No. of poles	3
PIN 1	PE
PIN 2	N
PIN 3	L
Connection	Screw terminals SK
Family construction form	terminal
Gender	female
Color contact carrier	green
No. of poles	4
PIN 1	+
PIN 2	+
PIN 3	-
PIN 4	-