

MPS POWER SUPPLY 1-PHASE,

IN: 90-265VAC OUT: 24V/5ADC

Art.No.: 85053

Weight: 0.88

Country of origin: CZ

Model designation: MPS 5-230/24

INPUT: 90...265 V AC

OUTPUT: 24 V DC

Current: 5 A

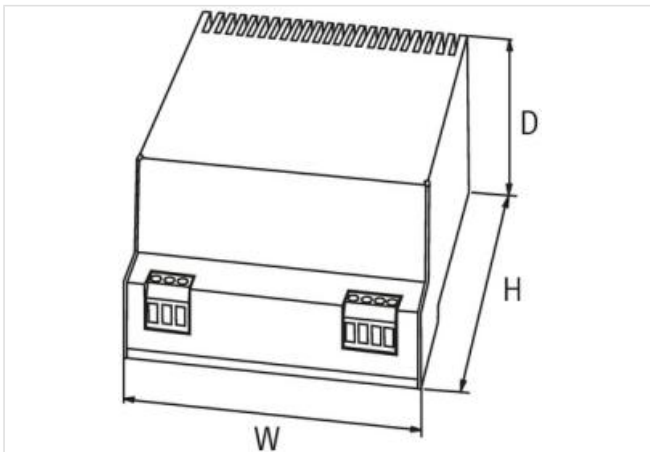
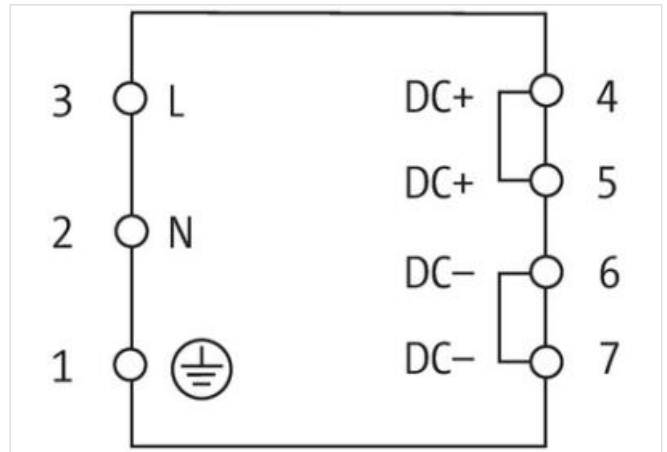
Mains failure bridging min.

min. 10 ms (115 V AC); min. 80 ms (230 V AC)

additional mounting feet for screw mounting part no. 89500

[Link to Product](#)

Illustration



Product may differ from Image



Commercial data

ECLASS-6.0

27049002

ECLASS-6.1	27049002
ECLASS-7.0	27049002
ECLASS-8.0	27049002
ECLASS-9.0	27040701
ECLASS-10.1	27040701
ECLASS-11.1	27040701
ECLASS-12.0	27040701
ETIM-5.0	EC002540
customs tariff number	85044083
customs tariff number	85044083
GTIN	4048879080729
GTIN	4048879080729
Packaging unit	1
Packaging unit	1

Electrical data

Parallel connection	no
Series connection	yes
Security level	SELV

Electrical data | Supply

Power frequency	50 ... 60 Hz
-----------------	--------------

Electrical data | Input

Input voltage AC min.	90 V
Input voltage AC max.	265 V
Input voltage 1 AC	115 V
Input voltage 2 AC	230 V
Input current at input voltage 1 AC	1,9 A
Input current at input voltage 2 AC	0,95 A
Inrush current max.	10 A
External back-up fuse per phase max.	10 A
Efficiency	85 %

Electrical data | Output

Output voltage DC	24 V
Output voltage DC min.	23,76 V
Output voltage DC max.	24,72 V
Output voltage adjustable	no
Output current	5 A
Output current (UL)	6 A
Ripple effective max.	20 mV
Spikes (s-s) max.	100 mV

Device protection | Electrical

Overload protection output	yes
Short-circuit protection output	yes

Mechanical data | Mounting data

Mounting method	geschnappt
Suitable for mounting type	Mounting rail TH35, (EN 60715)
Height	132 mm
Width	110 mm
Depth	72 mm

Environmental characteristics | Climatic

Operating temperature min.	0 °C
Operating temperature max.	60 °C

Storage temperature min.	-25 °C
Storage temperature max.	85 °C
Relative humidity min. (operation)	5 %
Relative humidity max. (operation)	95 % no condensation

Connection type 2

Connection	Screw terminals SK
Family construction form	terminal
Gender	female
Color contact carrier	green
No. of poles	3
PIN 1	PE
PIN 2	N
PIN 3	L
Connection	Screw terminals SK
Family construction form	terminal
Gender	female
Color contact carrier	green
No. of poles	4
PIN 1	+
PIN 2	+
PIN 3	-
PIN 4	-