

Xelity 8TX GE Unmanaged Switch 8 Port 1000Mbit

Art.No.: 58815

Weight: 0.154 kg

Country of origin: DE

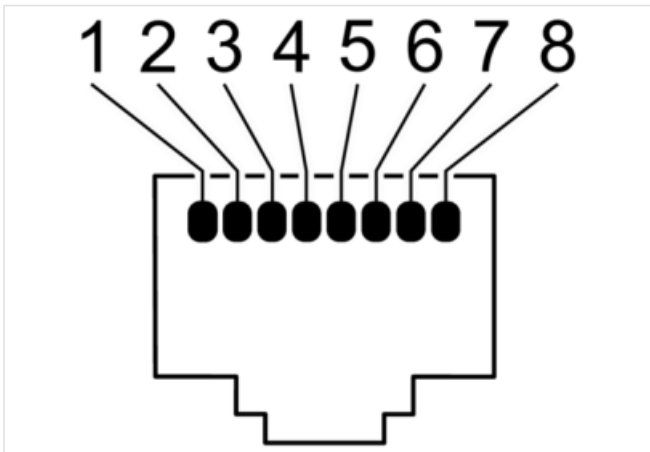
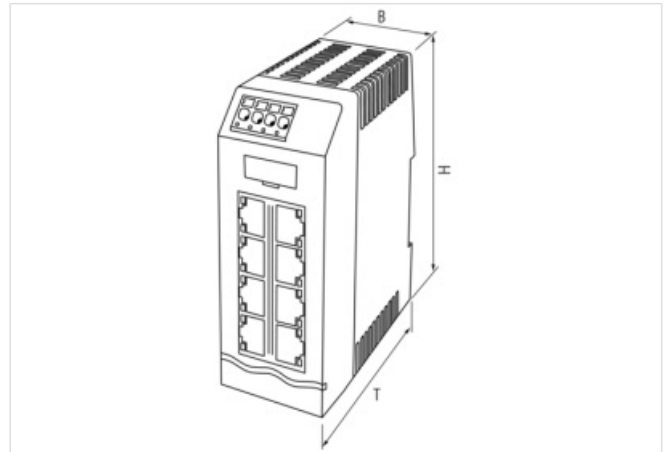
Model designation: Xelity 8TX GE

8 port unmanaged switch

Connection cables are in the online shop under "Connection Technology".

[Link to Product](#)

Illustration



Product may differ from Image



Commercial data

URL Webshop	https://shop.murrelektronik.com/58815
GTIN	4065909013229
Customs tariff number	85176200
ECLASS-7.1	19170106
ECLASS-8.1	19170106
ECLASS-9.1	19170106

The information in this Product-PDF has been compiled with the utmost care.

Liability for the correctness completeness and topicality of the information is restricted to gross negligence. Version: 2026-06-15

Murrelektronik GmbH | Grabenstraße 29 | 71570 Oppenweiler | Fon +49 (71 91) 47-0 | Fax +49 (71 91) 47-491000 | shop@murrelektronik.com | shop.murrelektronik.com

ECLASS-10.0.1	19170401
ECLASS-11.0	19170401
ECLASS-13.0	19170401
ECLASS-14.0	19170401
customs tariff number	85176200
EAN	4065909013229
Packaging unit	1

Electrical data | Supply

Operating voltage DC	24 V
Operating voltage DC min.	9 V
Operating voltage DC max.	30 V

Industrial Communication

Data transmission rate max.	1.000 Mbit/s
-----------------------------	--------------

Industrial communication | Ethernet functionality

VLAN unmanaged (IEEE 802.1Q)	Tag forwarding
Switch type	unmanaged
duplex	Full duplex
Auto-negotiation	Yes
Auto-crossover	Yes

Diagnostics

Alarm contact	No
Diagnostic	No voltage
LED display	Ethernet connection/data traffic

Device protection | Electrical

Degree of protection (EN IEC 60529)	IP20
-------------------------------------	------

Mechanical data | Material data

housing	Plastic
Color housing	black

Mechanical data | Mounting data

Height	105 mm
Width	41,6 mm
Depth	85,1 mm
Mounting method	geschnappt
Suitable for mounting type	Mounting rail TH35, (EN 60715)

Environmental characteristics | Climatic

Operating temperature min.	-40 °C
Operating temperature max.	75 °C
Ambient temperature (storage, transport)	-40 °C ... 85 °C

Connection type 2

Connection type 1	8
Family construction form	RJ45
No. of poles	8
Gender	female
Color contact carrier	black
PIN 1	TD +
PIN 2	TD -
PIN 3	RD +
PIN 4	n.c.
PIN 5	n.c.
PIN 6	RD -
PIN 7	n.c.

PIN 8	n.c.
Family construction form	terminal
No. of poles	4
Gender	female
Color contact carrier	green
Connection	Spring clamp terminals FK
PIN 1	24 V DC (UB 1)
PIN 2	0 V
PIN 3	PE
PIN 4	n.c.