

TREE 8TX Eco Gigabit Unmanaged Switch

Art.No.: 58176

Weight: 0.168 kg

Country of origin: TW

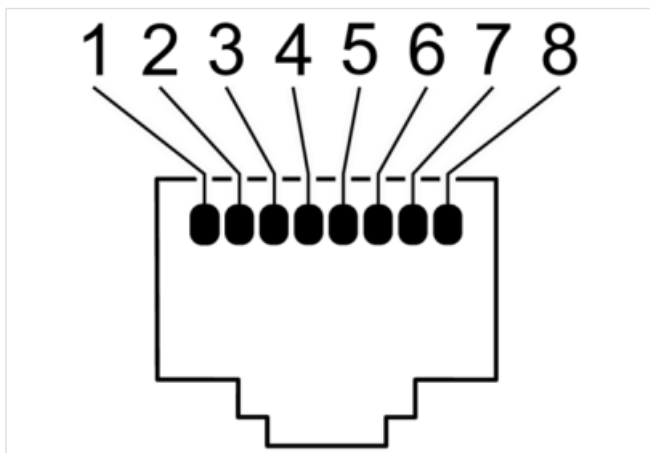
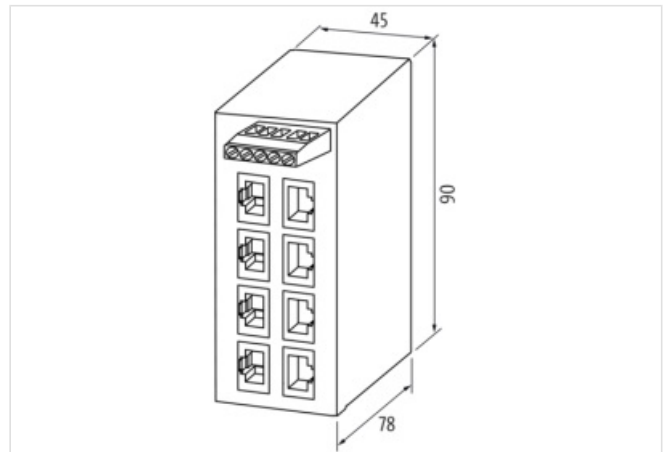
Model designation: TREE 8TX Eco Gigabit

8 port Gigabit unmanaged Switch

Connection cables are in the online shop under "Connection Technology".

[Link to Product](#)

Illustration



Product may differ from Image



Commercial data

URL Webshop	https://shop.murrelektronik.com/58176
GTIN	4048879797474
ECLASS-6.0	19170106
ECLASS-6.1	19170106
ECLASS-7.0	19170106

ECLASS-7.1	19170106
ECLASS-8.0	19170106
ECLASS-8.1	19170106
ECLASS-9.0	19170402
ECLASS-9.1	19170106
ECLASS-10.0.1	19170402
ECLASS-10.1	19170402
ECLASS-11.0	19170402
ECLASS-11.1	19170402
ECLASS-12.0	19170402
ECLASS-13.0	19170402
ECLASS-14.0	19170402
ETIM-5.0	EC000734
ETIM-6.0	EC000734
ETIM-7.0	EC000734
ETIM-8.0	EC000734
customs tariff number	85176200
EAN	4048879797474
Packaging unit	1

Electrical data | Supply

Operating voltage DC min.	9 V
Operating voltage DC max.	30 V
Current consumption max.	450 mA

Industrial Communication

Data transmission rate max.	1.000 Mbit/s
-----------------------------	--------------

Industrial communication | Ethernet functionality

VLAN unmanaged (IEEE 802.1Q)	Yes
Switch type	unmanaged
duplex	Full duplex
Auto-negotiation	Yes
Auto-crossover	Yes

Diagnostics

Alarm contact	No
Diagnostic	No voltage
LED display	Ethernet connection/data traffic

Device protection | Electrical

Degree of protection (EN IEC 60529)	IP20
Invers-polarity protection	Yes
Over voltage protection	Yes

Mechanical data | Material data

Material housing	Plastic
Color housing	black

Mechanical data | Mounting data

Height	90 mm
Width	45,2 mm
Depth	78 mm
Mounting method	geschnappt
Suitable for mounting type	Mounting rail TH35, (EN 60715)

Environmental characteristics | Climatic

Operating temperature min.	0 °C
Operating temperature max.	60 °C

Ambient temperature (storage, transport) -10 °C ... 70 °C

Connection type 2	
Connection type 1	8
Connection type 2	X1
Family construction form	RJ45
No. of poles	8
Gender	female
Color contact carrier	black
PIN 1	TD +
PIN 2	TD -
PIN 3	RD +
PIN 4	n.c.
PIN 5	n.c.
PIN 6	RD -
PIN 7	n.c.
PIN 8	n.c.
Family construction form	terminal
No. of poles	5
Gender	male
Color contact carrier	green
Connection	Plug-in terminals RK
PIN 1	FE
PIN 2	0 V
PIN 3	24 V DC (UB 1)
PIN 4	0 V
PIN 5	24 V DC (UB 2)