

TREE 4TX Metal - Unmanaged Switch - 4 Ports

Art.No.: 58151

Weight: 0.52

Country of origin: TW

Model designation: TREE 4TX Metal

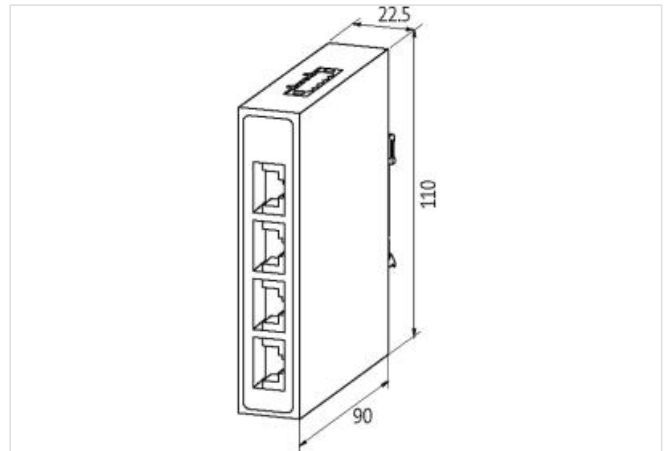
4 port unmanaged switch

(UL-Listed)

Connection cables are in the online shop under "Connection Technology".

[Link to Product](#)

Illustration



Product may differ from Image



Commercial data

ECLASS-6.0	19170106
ECLASS-6.1	19170106
ECLASS-7.0	19170106
ECLASS-8.0	19170106
ECLASS-9.0	19170402
ECLASS-10.1	19170402
ECLASS-11.1	19170402
ECLASS-12.0	19170402
ETIM-5.0	EC000734
customs tariff number	85176200
customs tariff number	85176200
GTIN	4048879439497
GTIN	4048879439497
Packaging unit	1
Packaging unit	1

Electrical data | Supply

Operating voltage DC min.	9 V
Operating voltage DC max.	48 V
Power consumption max.	4 W

Industrial communication

The information in this Product-PDF has been compiled with the utmost care.

Liability for the correctness completeness and topicality of the information is restricted to gross negligence. Version: 2025-04-30

Data transmission rate max. 100 MBit/s

Industrial communication | Ethernet functionality

Auto-crossover	yes
Auto-negotiation	yes
duplex	Full duplex
Switch type	unmanaged
VLAN unmanaged (IEEE 802.1Q)	yes

Diagnostics

Alarm contact	no
Diagnostic	No voltage
LED display	Ethernet connection/data traffic

Device protection | Electrical

Degree of protection (EN IEC 60529)	IP50
-------------------------------------	------

Mechanical data | Material data

Material housing	Metal
Color housing	black

Mechanical data | Mounting data

Mounting method	geschnappt
Suitable for mounting type	Mounting rail TH35, (EN 60715)
Height	110 mm
Width	22,5 mm
Depth	89,6 mm

Environmental characteristics | Climatic

Operating temperature min.	-10 °C
Operating temperature max.	70 °C
Storage temperature min.	-40 °C
Storage temperature max.	85 °C

Connection type 2

Connection type 1	4
Connection type 2	X1
Family construction form	RJ45
Gender	female
Color contact carrier	black
No. of poles	8
PIN 1	TD +
PIN 2	TD -
PIN 3	RD +
PIN 4	n.c.
PIN 5	n.c.
PIN 6	RD -
PIN 7	n.c.
PIN 8	n.c.
Connection	Plug-in terminals RK
Family construction form	terminal
Gender	male
Color contact carrier	green
No. of poles	5
PIN 1	24 V DC (US)
PIN 2	0 V (US)
PIN 3	24 V DC (UA)
PIN 4	0 V (UA)

PIN 5

PE