

Cube67 Diagnostic Gateway

Diagnosis made easy, Simple system overview

Art.No.: 56968

Weight: 0.915 kg

Country of origin: DE

Model designation: Cube67 Diagnose Gateway

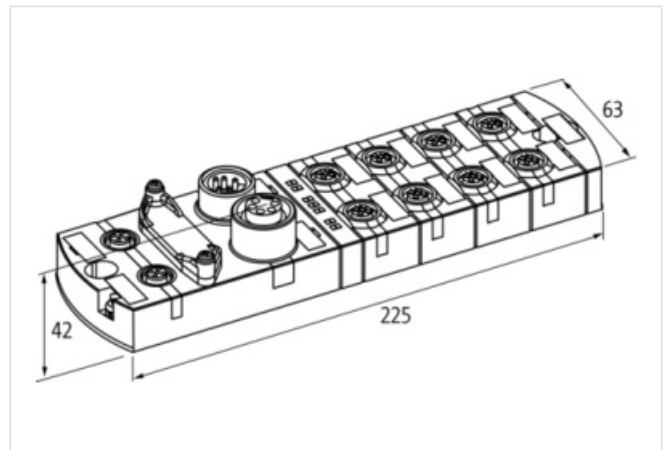
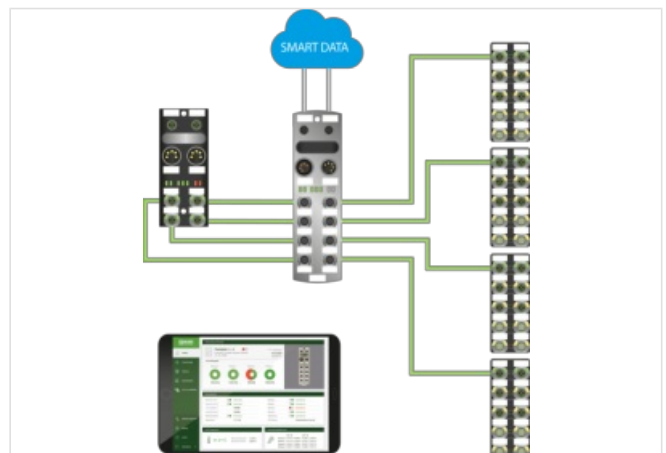
Cube67

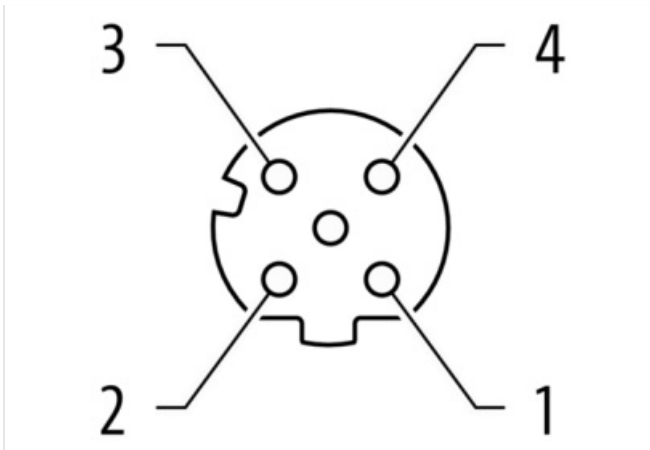
Diagnostic gateway

Ethernet TCP/IP

[Link to Product](#)

Illustration





Product may differ from Image

**Commercial data**

URL Webshop	https://shop.murrelektronik.com/56968
GTIN	4048879652216
Customs tariff number	85389099
ECLASS-6.0	27242608
ECLASS-6.1	27242608
ECLASS-7.0	27242608
ECLASS-7.1	27242608
ECLASS-8.0	27242608
ECLASS-8.1	27242608
ECLASS-9.0	27242608
ECLASS-9.1	27242608
ECLASS-10.0.1	27242608
ECLASS-10.1	27242608
ECLASS-11.0	27242608
ECLASS-11.1	27242608
ECLASS-12.0	27242608
ECLASS-13.0	27242608
ECLASS-14.0	27242608
ETIM-5.0	EC001604
ETIM-6.0	EC001604
ETIM-7.0	EC001604
ETIM-8.0	EC001604
customs tariff number	85389099
EAN	4048879652216
Packaging unit	1

Electrical data | Supply

Operating voltage DC	24 V
Operating voltage DC min.	18 V
Operating voltage DC max.	30 V
Current consumption max.	200 mA

Industrial communication | Bus data

Internal system connection	Yes
----------------------------	-----

The information in this Product-PDF has been compiled with the utmost care.

Liability for the correctness completeness and topicality of the information is restricted to gross negligence. Version: 2026-06-15

Murrelektronik GmbH | Grabenstraße 29 | 71570 Oppenweiler | Fon +49 (71 91) 47-0 | Fax +49 (71 91) 47-491000 | shop@murrelektronik.com | shop.murrelektronik.com

Device protection | Electrical

Degree of protection (EN IEC 60529)	IP67
Invers-polarity protection	Yes
Over voltage protection	Yes

Mechanical data | Mounting data

Height	42 mm
Width	63 mm
Depth	225 mm
Suitable for mounting type	2-hole screw mounting

Environmental characteristics | Climatic

Operating temperature min.	0 °C
Operating temperature max.	55 °C
Ambient temperature (storage, transport)	-25 °C ... 70 °C

Connection type 4

Connection type 1	Bus Out
Connection type 2	Port1, Port2
Connection type 3	Power In
Connection type 4	Power Out
Family construction form	M12
No. of poles	6
Coding	A
Gender	female
Color contact carrier	black
PIN 1	24 V DC (UA)
PIN 2	24 V DC (US)
PIN 3	0 V
PIN 4	Bus internal
PIN 5	Bus internal
PIN 6	0 V
Family construction form	M12
No. of poles	4
Coding	D
Gender	female
Color contact carrier	black
Mounting method	inserted, screwed
Tightening torque	0,6 Nm
PIN 1	TD +
PIN 2	RD +
PIN 3	TD -
PIN 4	RD -
PIN 5	n.c.
Family construction form	7/8"
No. of poles	5
Gender	male
Color contact carrier	black
PIN 1	0 V
PIN 2	0 V
PIN 3	PE
PIN 4	24 V DC (US)
PIN 5	24 V DC (UA)
Family construction form	7/8"
No. of poles	5
Gender	female

Color contact carrier	black
PIN 1	0 V
PIN 2	0 V
PIN 3	PE
PIN 4	24 V DC (US)
PIN 5	24 V DC (UA)