

## CUBE67 I/O EXTENSION MODULE

8 multifunction channels

Art.No.: 56631

Weight: 0.145

Country of origin: CZ

Model designation: Cube67 DIO8 E 4xM12 1A

Expansion module

DIO8 - 1.0 A (E) - 4x M12

short-circuit and overload protected

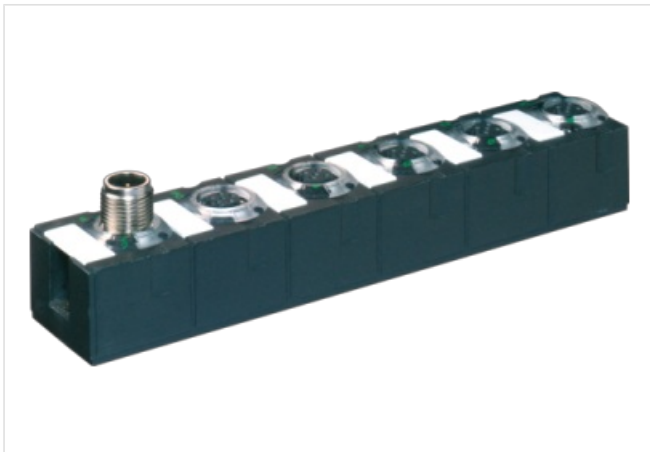
Digital inputs/outputs (multifunctional)

Connection cables are in the online shop under "Connection Technology".

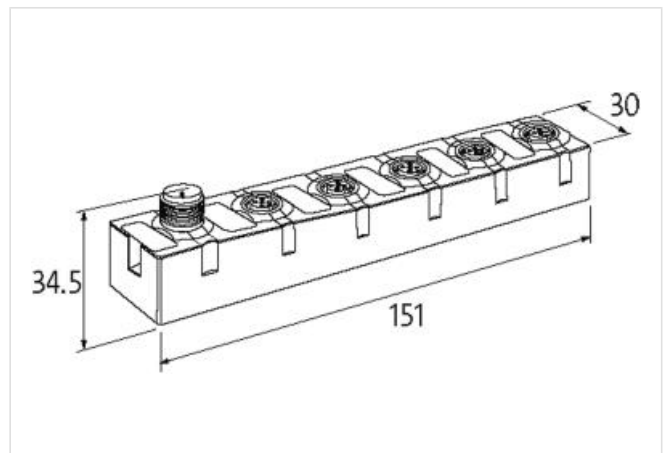
Housing fully potted.

### [Link to Product](#)

#### Illustration



Product may differ from Image



#### Commercial data

ECLASS-6.0	27242604
ECLASS-6.1	27242604
ECLASS-7.0	27242604
ECLASS-8.0	27242604
ECLASS-9.0	27242604
ECLASS-10.1	27242604
ECLASS-11.1	27242604
ECLASS-12.0	27242604
ETIM-5.0	EC001599
customs tariff number	85389099
customs tariff number	85389099
GTIN	4048879048446
GTIN	4048879048446
Packaging unit	1
Packaging unit	1

#### Electrical data | Supply

The information in this Product-PDF has been compiled with the utmost care.

Liability for the correctness completeness and topicality of the information is restricted to gross negligence. Version: 2025-04-30

Murrelektronik GmbH | Grabenstraße 29 | 71570 Oppenweiler | Fon +49 (71 91) 47-0 | Fax +49 (71 91) 47-491000 | shop@murrelektronik.com | shop.murrelektronik.com

Norm operating voltage	EN 61131-2
Operating voltage US DC	24 V
Operating voltage UA DC	24 V
Current consumption max.	50 mA
Total current UA max.	4 A
Total current US max.	4 A

#### Electrical data | Input

Type input	PNP, for 3-wire sensors or mechanical switches
Overload resistant	yes
Short-circuit protected	yes
Input filter time	1 ms
Sensor current US per input max.	0,2 A

#### Electrical data | Output

Overload resistant	yes
Short-circuit protected	yes
Output current per pin max.	1 A
Lamp load	20 W

#### Diagnostics

Actuator warning	per channel via LED and BUS
Diagnostic	No voltage, Under voltage
Diagnostic via BUS	per module and channel
Diagnostic via LED	per module and channel
Short circuit diagnosis	yes
LED display	Ethernet connection/data traffic
Overload diagnosis	yes

#### Device protection | Electrical

Degree of protection (EN IEC 60529)	IP67
-------------------------------------	------

#### Mechanical data | Mounting data

Suitable for mounting type	2-hole screw mounting
Height	151 mm
Width	30 mm
Depth	34,5 mm

#### Environmental characteristics | Climatic

Operating temperature min.	0 °C
Operating temperature max.	55 °C
Storage temperature min.	-20 °C
Storage temperature max.	75 °C

#### Connection type 3

Connection type 1	0-3
Connection type 2	Bus In
Connection type 3	Bus Out
Family construction form	M12
Gender	female
Color contact carrier	black
Coding	A
No. of poles	5
PIN 1	24 V DC (US)
PIN 2	DI / DO / Diag
PIN 3	0 V
PIN 4	DI / DO
PIN 5	PE

Family construction form	M12
Gender	male
Color contact carrier	black
Coding	A
No. of poles	6
PIN 1	24 V DC (UA)
PIN 2	24 V DC (US)
PIN 3	0 V
PIN 4	Bus internal
PIN 5	Bus internal
PIN 6	0 V
Family construction form	M12
Gender	female
Color contact carrier	black
Coding	A
No. of poles	6
PIN 1	24 V DC (UA)
PIN 2	24 V DC (US)
PIN 3	0 V
PIN 4	Bus internal
PIN 5	Bus internal
PIN 6	0 V