

## CUBE67+ BUS NODE

ProfiNet IO

Art.No.: 56526

Weight: 0.36

Country of origin: CZ

Model designation: Cube67+ BN-PNIO

Cube67+

PROFINET IO

Connection cables are in the online shop under "Connection Technology".

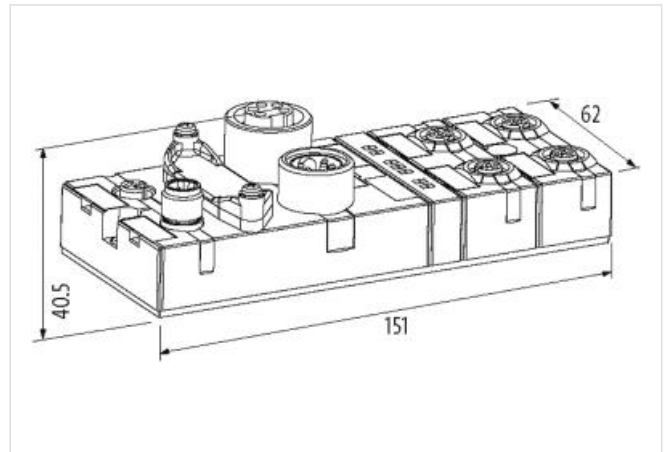
Housing fully potted.

### [Link to Product](#)

#### Illustration



Product may differ from Image



#### Commercial data

ECLASS-6.0	27242608
ECLASS-6.1	27242608
ECLASS-7.0	27242608
ECLASS-8.0	27242608
ECLASS-9.0	27242608
ECLASS-10.1	27242608
ECLASS-11.1	27242608
ECLASS-12.0	27242608
ETIM-5.0	EC001604
customs tariff number	85389099
customs tariff number	85389099
GTIN	4048879294027
GTIN	4048879294027
Packaging unit	1
Packaging unit	1

#### Electrical data | Supply

Operating voltage DC	24 V
----------------------	------

Current consumption max.	200 mA
Total current UA max.	8 A
Total current US max.	8 A
<b>Industrial communication</b>	
Machine Option Management	yes
Supported protocol	PROFINET
<b>Industrial communication   Bus data</b>	
Address range outputs max.	1024 Bytes
Address range inputs max.	1024 Bytes
<b>Industrial communication   Profinet</b>	
PROFINET addressing	DCP
PROFINET conformance class	B
PROFINET specification	V2.2
<b>Industrial communication   IO-Link</b>	
Number of IO-Link master ports max.	128
<b>Diagnostics</b>	
Diagnostic	No voltage, Under voltage
Diagnostic via BUS	per module and channel
Diagnostic via LED	per module and channel
Short circuit diagnosis	yes
LED display	Ethernet connection/data traffic
Overload diagnosis	yes
<b>Device protection   Electrical</b>	
Degree of protection (EN IEC 60529)	IP67
<b>Mechanical data</b>	
Number extension modules max.	32
<b>Mechanical data   Mounting data</b>	
Suitable for mounting type	2-hole screw mounting
Height	151 mm
Width	62 mm
Depth	40,5 mm
<b>Environmental characteristics   Climatic</b>	
Operating temperature min.	0 °C
Operating temperature max.	55 °C
Storage temperature min.	-20 °C
Storage temperature max.	75 °C
<b>Conformity</b>	
Product standard	EN 61131-2
<b>Connection type 4</b>	
Connection type 1	Bus In / Bus Out
Connection type 2	Internal system connection
Connection type 3	Power In
Connection type 4	Power Out
Mounting method	inserted, screwed
Tightening torque	0,6 Nm
Family construction form	M12
Gender	female
Color contact carrier	black
Coding	D

No. of poles	4
PIN 1	TD +
PIN 2	RD +
PIN 3	TD -
PIN 4	RD -
Family construction form	M12
Gender	female
Color contact carrier	black
Coding	A
No. of poles	6
PIN 1	24 V DC (UA)
PIN 2	24 V DC (US)
PIN 3	0 V
PIN 4	Bus internal
PIN 5	Bus internal
PIN 6	0 V
Family construction form	7/8"
Gender	male
Color contact carrier	black
No. of poles	5
PIN 1	0 V
PIN 2	0 V
PIN 3	PE
PIN 4	24 V DC (US)
PIN 5	24 V DC (UA)
Family construction form	7/8"
Gender	female
Color contact carrier	black
No. of poles	5
PIN 1	0 V
PIN 2	0 V
PIN 3	PE
PIN 4	24 V DC (US)
PIN 5	24 V DC (UA)