

CUBE20 DIGITAL IN-/OUTPUT MODULE

16 digital inputs and 16 digital outputs

Art.No.: 56168

Weight: 0.150 kg

Country of origin: CZ

Model designation: Cube20 DI16 DO16

Expansion module

Digital inputs

Digital outputs

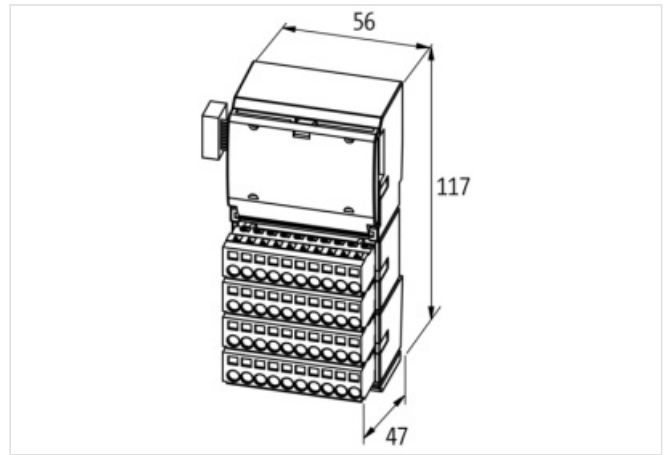
DI16/DO16 - (E)

[Link to Product](#)

Illustration



Product may differ from Image



Commercial data

URL Webshop	https://shop.murrelektronik.com/56168
GTIN	4048879049245
Customs tariff number	85176200
ECLASS-6.0	27242604
ECLASS-6.1	27242604
ECLASS-7.0	27242604
ECLASS-7.1	27242604
ECLASS-8.0	27242604
ECLASS-8.1	27242604
ECLASS-9.0	27242604
ECLASS-9.1	27242604
ECLASS-10.0.1	27242604
ECLASS-10.1	27242604
ECLASS-11.0	27242604
ECLASS-11.1	27242604
ECLASS-12.0	27242604
ECLASS-13.0	27242604
ECLASS-14.0	27242604

ETIM-5.0	EC001599
ETIM-6.0	EC001599
ETIM-7.0	EC001599
ETIM-8.0	EC001599
customs tariff number	85176200
EAN	4048879049245
Packaging unit	1

Electrical data | Supply

Norm operating voltage	IEC/EN 61131-2
Operating voltage US DC	24 V
Operating voltage UA DC	24 V
Total current UA max.	12 A
Current consumption max.	25 mA
module supply	via system connection

Electrical data | Input

Current carrying capacity max.	0,7 A
filter time	1 ms
Type input	PNP (EN 61131-2)

Electrical data | Output

Output current per pin max.	0,5 A
Overload resistant	Yes
Short-circuit protected	Yes
Lamp load	10 W

Diagnostics

Short circuit diagnosis	Yes
Overload diagnosis	Yes
Diagnostic	Under voltage
Diagnostic via BUS	per module and channel
Diagnostic via LED	per module and channel (only outputs)
LED display	Ethernet connection/data traffic

Installation

Connection cross section max.	2,5 mm ²
-------------------------------	---------------------

Device protection | Electrical

Degree of protection (EN IEC 60529)	IP20
Galvanic separation (operating voltage)	Yes
Galvanic separation input/input	Yes
Galvanic separation output/output	Yes

Mechanical data | Mounting data

Height	117 mm
Width	56 mm
Depth	47 mm
Mounting method	geschnappt
Suitable for mounting type	(EN 60715), mounting rail

Environmental characteristics | Climatic

Operating temperature min.	0 °C
Operating temperature max.	55 °C
Ambient temperature (storage, transport)	-20 °C ... 85 °C

Connection type 4

Connection type 1	X0
Connection type 2	X1
Connection type 3	X2

Connection type 4	X3
Family construction form	terminal
No. of poles	10
Gender	female
Color contact carrier	colorless
Connection	Spring clamp terminals FK
PIN 1	DO 0
PIN 2	DO 1
PIN 3	DO 2
PIN 4	DO 3
PIN 5	DO 4
PIN 6	DO 5
PIN 7	DO 6
PIN 8	DO 7
PIN 9	UI
PIN 10	UA
Family construction form	terminal
No. of poles	10
Gender	female
Color contact carrier	colorless
Connection	Spring clamp terminals FK
PIN 1	DO 8
PIN 2	DO 9
PIN 3	DO 10
PIN 4	DO 11
PIN 5	DO 12
PIN 6	DO 13
PIN 7	DO 14
PIN 8	DO 15
PIN 9	0 V
PIN 10	0 V
Family construction form	terminal
No. of poles	10
Gender	female
Color contact carrier	colorless
Connection	Spring clamp terminals FK
PIN 1	DIO 0
PIN 2	DIO 1
PIN 3	DIO 2
PIN 4	DIO 3
PIN 5	DIO 4
PIN 6	DIO 5
PIN 7	DIO 6
PIN 8	DIO 7
PIN 9	US
PIN 10	US
Family construction form	terminal
No. of poles	10
Gender	female
Color contact carrier	colorless
Connection	Spring clamp terminals FK
PIN 1	DI 8
PIN 2	DI 9
PIN 3	DI 10

PIN 4	DI 11
PIN 5	DI 12
PIN 6	DI 13
PIN 7	DI 14
PIN 8	DI 15
PIN 9	0 V
PIN 10	0 V