

CUBE20 DIGITAL OUTPUT MODULE

16 digital outputs

Art.No.: 56117

Weight: 0.120 kg

Country of origin: CZ

Model designation: CUBE20 DO16 2A

Expansion module

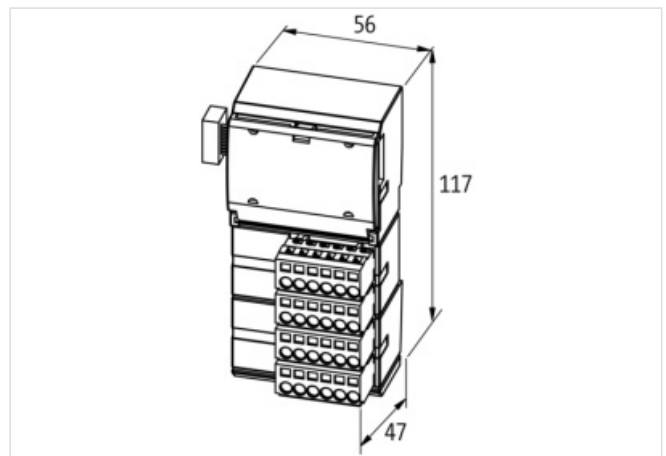
DO16 - (E)

Link to Product

Illustration



Product may differ from Image



Commercial data

URL Webshop	https://shop.murrelektronik.com/56117
GTIN	4048879049306
Customs tariff number	85176200
ECLASS-6.0	27242604
ECLASS-6.1	27242604
ECLASS-7.0	27242604
ECLASS-7.1	27242604
ECLASS-8.0	27242604
ECLASS-8.1	27242604
ECLASS-9.0	27242604
ECLASS-9.1	27242604
ECLASS-10.0.1	27242604
ECLASS-10.1	27242604
ECLASS-11.0	27242604
ECLASS-11.1	27242604
ECLASS-12.0	27242604
ECLASS-13.0	27242604
ECLASS-14.0	27242604
ETIM-5.0	EC001599

ETIM-6.0	EC001599
ETIM-7.0	EC001599
ETIM-8.0	EC001599
customs tariff number	85176200
EAN	4048879049306
Packaging unit	1

Electrical data | Supply

Norm operating voltage	IEC/EN 61131-2
Operating voltage UA DC	24 V
Total current UA max.	12 A
Current consumption max.	25 mA
module supply	via system connection

Electrical data | Output

Output current per actuator max.	2 A
Lamp load	40 W

Diagnostics

Short circuit diagnosis	Yes
Overload diagnosis	Yes
Diagnostic	Under voltage
Diagnostic via BUS	per module and channel
Diagnostic via LED	per module and channel
LED display	Ethernet connection/data traffic

Installation

Connection cross section max.	2,5 mm ²
-------------------------------	---------------------

Device protection | Electrical

Degree of protection (EN IEC 60529)	IP20
Galvanic separation (operating voltage)	Yes
Galvanic separation output/output	Yes

Mechanical data | Mounting data

Height	117 mm
Width	56 mm
Depth	47 mm
Mounting method	geschnappt
Suitable for mounting type	(EN 60715), mounting rail

Environmental characteristics | Climatic

Operating temperature min.	0 °C
Operating temperature max.	55 °C
Ambient temperature (storage, transport)	-20 °C ... 85 °C

Connection type 4

Connection type 1	X0
Connection type 2	X1
Connection type 3	X2
Connection type 4	X2
Family construction form	terminal
No. of poles	6
Gender	female
Color contact carrier	colorless
Connection	Spring clamp terminals FK
PIN 1	DO 0
PIN 2	DO 1
PIN 3	DO 2

PIN 4	DO 3
PIN 5	UA 1
PIN 6	UA 1
Family construction form	terminal
No. of poles	6
Gender	female
Color contact carrier	colorless
Connection	Spring clamp terminals FK
PIN 1	DO 4
PIN 2	DO 5
PIN 3	DO 6
PIN 4	DO 7
PIN 5	0 V
PIN 6	0 V
Family construction form	terminal
No. of poles	6
Gender	female
Color contact carrier	colorless
Connection	Spring clamp terminals FK
PIN 1	DO 12
PIN 2	DO 13
PIN 3	DO 14
PIN 4	DO 15
PIN 5	0 V
PIN 6	0 V
Family construction form	terminal
No. of poles	6
Gender	female
Color contact carrier	colorless
Connection	Spring clamp terminals FK
PIN 1	DO 8
PIN 2	DO 9
PIN 3	DO 10
PIN 4	DO 11
PIN 5	UA 2
PIN 6	UA 2