

MVK-MPNIO DIO12 IOL4 IRT 7/8" 5pin

Digital inputs/outputs

DIO12 IOL4 (IRT)

Ethernet 10/100 Mbit/s; M12, D-coded

7/8", 5-pole, 2× max. 9 A

M12, 5-pole, A-coded

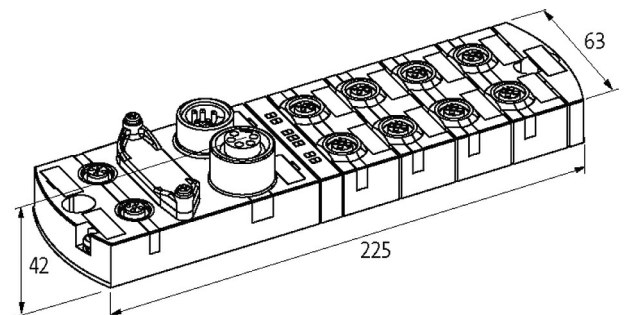
IO-Link Master V1.12

Connection cables are in the online shop under "Connection Technology".

Housing fully potted.

[Link to Product](#)

Illustration



Product may differ from Image

Approvals



More Info



General data

Protection	IP67
Mounting method	2-hole screw mounting
Dimensions H×W×D	42×63×225 mm
Temperature range	-25...+60 °C (storage temperature -25...+70 °C)

Output

The information in this brochure has been compiled with the utmost care.

Liability for the correctness completeness and topicality of the information is restricted to gross negligence. Version: 02/21

Murrelektronik GmbH | Falkenstraße 3 | 71570 Oppenweiler | Fon +49 (71 91) 47-0 | Fax +49 (71 91) 47-491000 | shop@murrelektronik.com | shop.murrelektronik.com

Actuator supply UA	24 V DC (EN 61131-2), max. 9 A
Switching current per output	max. 1.6 A (short-circuit and overload protected)
Lamp load	10 W
Input	
Sensor supply US	24 V DC (EN 61131-2), max. 200 mA (M12 female)/max. 1 A (IO-Link female), short-circuit and overload protected
Type	for 3-wire sensors or mechanical switches, PNP, IO-Link Devices
IO-Link	
IO-Link	4x Master
Operating modes	COM1; COM2; COM3 (automatic)
Transfer parameters	32 Byte (per IO-Link port)
Port Class	Class A + B (not galvanically separated)
Specification	IO-Link Master V1.12
Parameterization	
PIN 4	Input/Output (port X0...X7); IO-Link Master (port X4...X7)
PIN 2	Input/Output (port X0...X7); U-Actuator IO-Link Class B (port X4...X7)
Connections	
Fieldbus	Ethernet 10/100 Mbit/s; M12, D-coded
Sensor-system/actuator supply	7/8", 5-pole, 2x max. 9 A
I/O ports	M12, 5-pole, A-coded
PROFINET	
FSU (Fast-Start-Up)	max. 500 ms
Shared Device/Input	yes, for 2 controls
PROFINET Netload Class	III
Specification	V2.3, Conformance Class C (IRT)
MRP	yes
Addressing	DCP
Diagnostic	
Communication status	via LED
Diagnostic via LED	per module and channel
Diagnostic via BUS	per module and channel
Monitoring - under voltage	yes
Monitoring - no voltage	yes
Short-circuit and overload	yes
Actuator warning	per channel via LED and BUS
Cable break	per port
Commercial data	
country of origin	DE
customs tariff number	85389099
EAN	4048879527583
eClass	27242604
Packaging unit	1