

## MVK+ MPNIO DIO8 DIO8 PUSH PULL

MVK ProfiNet Compact module, metal

Art.No.: 55283

Weight: 0.975

Country of origin: DE

Model designation: MVK+ MPNIO DIO8 DIO8 Push Pull

Digital inputs/outputs

DIO8 DIO8

Ethernet 10/100 Mbit/s; Push Pull RJ45 Data connector

Push Pull Power connector, max. 12 A

M12, 5-pole, A-coded

Connection cables are in the online shop under "Connection Technology".

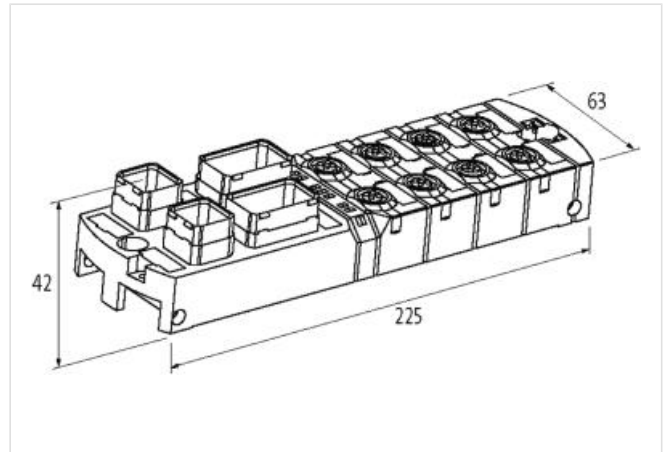
Housing fully potted.

### [Link to Product](#)

#### Illustration



Product may differ from Image



#### Commercial data

ECLASS-6.0	27242604
ECLASS-6.1	27242604
ECLASS-7.0	27242604
ECLASS-8.0	27242604
ECLASS-9.0	27242604
ECLASS-10.1	27242604
ECLASS-11.1	27242604
ECLASS-12.0	27242604
ETIM-5.0	EC001599
customs tariff number	85389099
customs tariff number	85389099
GTIN	4048879051682
GTIN	4048879051682
Packaging unit	1
Packaging unit	1

Electrical data   Supply	
Norm operating voltage	EN 61131-2
Operating voltage US DC	24 V
Operating voltage UA DC	24 V
Total current UA max.	12 A
Total current US max.	12 A
Electrical data   Input	
Type input	PNP, for 3-wire sensors or mechanical switches
Overload resistant	yes
Short-circuit protected	yes
Sensor current US per input max.	0,2 A
Electrical data   Output	
Overload resistant	yes
Short-circuit protected	yes
Output current per pin max.	1,6 A
Lamp load	10 W
Industrial communication	
Supported protocol	PROFINET
Industrial communication   Profinet	
MRP client	yes
PROFINET addressing	DCP
PROFINET conformance class	B
PROFINET specification	V2.2
Diagnostics	
Actuator warning	per channel via LED and BUS
Diagnostic	No voltage, Under voltage
Diagnostic via BUS	per module and channel
Diagnostic via LED	per module and channel
Short circuit diagnosis	yes
LED display	Ethernet connection/data traffic
Cable break	per port
Overload diagnosis	yes
Device protection   Electrical	
Degree of protection (EN IEC 60529)	IP67
Mechanical data   Mounting data	
Suitable for mounting type	2-hole screw mounting
Height	39 mm
Width	63 mm
Depth	225 mm
Environmental characteristics   Climatic	
Operating temperature min.	0 °C
Operating temperature max.	55 °C
Storage temperature min.	-20 °C
Storage temperature max.	70 °C
Connection type 3	
Connection type 1	4-7
Connection type 2	Port1, Port2
Connection type 3	Power In, Power Out
Family construction form	M12
Gender	female
Color contact carrier	black

Coding	A
No. of poles	5
PIN 1	24 V DC (US)
PIN 2	DI / DO / Diag
PIN 3	0 V (US)
PIN 4	DI / DO
PIN 5	PE
Family construction form	RJ45
Gender	female
Color contact carrier	black
No. of poles	8
PIN 1	TD +
PIN 2	TD -
PIN 3	RD +
PIN 4	n.c.
PIN 5	n.c.
PIN 6	RD -
PIN 7	n.c.
PIN 8	n.c.
Family construction form	Push Pull
Gender	male
Color contact carrier	green
No. of poles	5
PIN 1	24 V DC (US)
PIN 2	0 V (US)
PIN 3	24 V DC (UA)
PIN 4	0 V (UA)
PIN 5	PE