

Impact67 PN DIO14 DIO2/IOL2 M12L 5P

ProfiNet, Compact module,

Art.No.: 55171

Weight: 0.486 kg

Country of origin: DE

Model designation: Impact67 PN DIO14 DIO2/IOL2 M12L 5P

Digital inputs/outputs

DIO14 IOL2 (IRT)

Ethernet 10/100 Mbit/s; M12, D-coded

M12 Power, 5-pole, L-coded

M12, 5-pole, A-coded

IO-Link Master V1.1.2

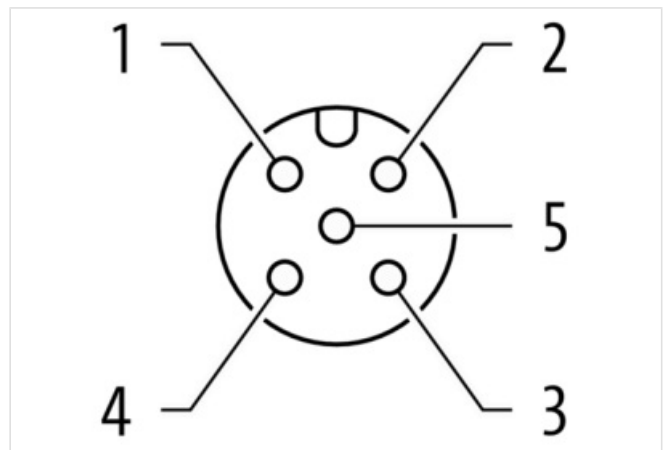
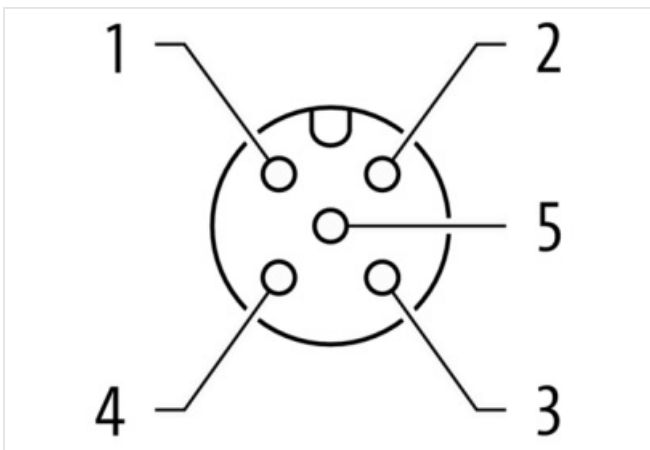
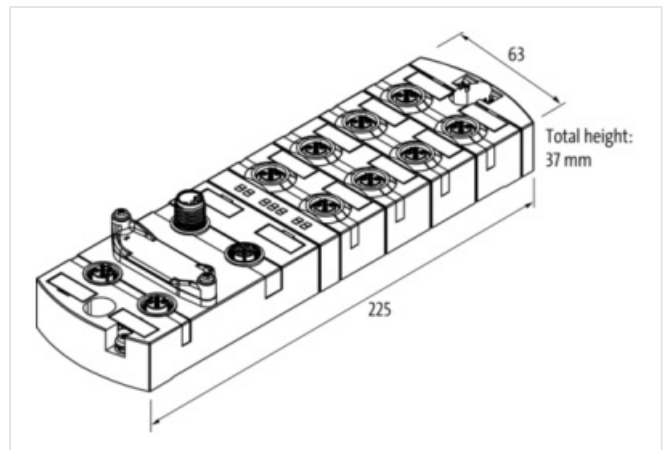
Connection cables are in the online shop under "Connection Technology".

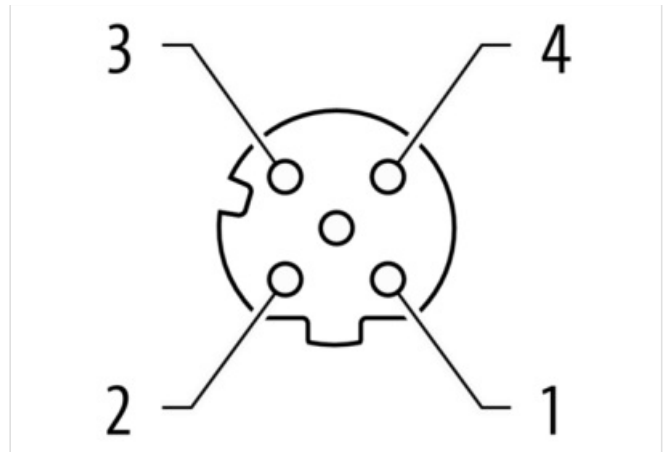
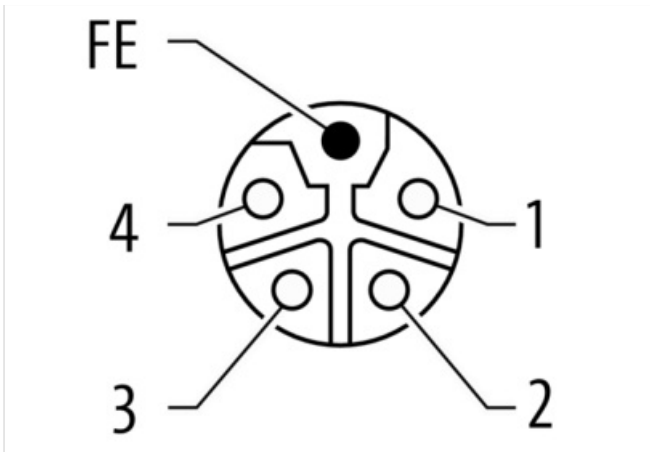
Housing fully potted.

mounting compatible with I/O modules of the MVK series

[Link to Product](#)

Illustration





Product may differ from Image



Commercial data

| | |
|-----------------------|---|
| URL Webshop | https://shop.murrelektronik.com/55171 |
| GTIN | 4048879778664 |
| Customs tariff number | 85389099 |
| ECLASS-6.0 | 27242604 |
| ECLASS-6.1 | 27242604 |
| ECLASS-7.0 | 27242604 |
| ECLASS-7.1 | 27242604 |
| ECLASS-8.0 | 27242604 |
| ECLASS-8.1 | 27242604 |
| ECLASS-9.0 | 27242604 |
| ECLASS-9.1 | 27242604 |
| ECLASS-10.0.1 | 27242604 |
| ECLASS-10.1 | 27242604 |
| ECLASS-11.0 | 27242604 |
| ECLASS-11.1 | 27242604 |
| ECLASS-12.0 | 27242604 |
| ECLASS-13.0 | 27242604 |
| ECLASS-14.0 | 27242604 |
| ETIM-5.0 | EC001599 |
| ETIM-6.0 | EC001599 |
| ETIM-7.0 | EC001599 |
| ETIM-8.0 | EC001599 |
| customs tariff number | 85389099 |
| EAN | 4048879778664 |
| Packaging unit | 1 |

Electrical data | Supply

| | |
|-------------------------|----------------|
| Norm operating voltage | IEC/EN 61131-2 |
| Operating voltage US DC | 24 V |
| Total current US max. | 16 A |
| Operating voltage UA DC | 24 V |
| Total current UA max. | 16 A |

Electrical data | Input

| | |
|---|---|
| Sensor current US per input max. | 0,2 A |
| Sensor current US per IO-Link port max. | 1 A |
| Short-circuit protected | Yes |
| Overload resistant | Yes |
| Type input | for 3-wire sensors or mechanical switches, IO-Link Devices, PNP |

Electrical data | Output

| | |
|-----------------------------|-------|
| Output current per pin max. | 1,6 A |
| Total current outputs max. | 9 A |
| Overload resistant | Yes |
| Short-circuit protected | Yes |
| Lamp load | 10 W |

Industrial communication | Bus data

| | |
|--------------------|----------|
| Supported protocol | Profinet |
|--------------------|----------|

Industrial communication | Profinet

| | |
|---|-------|
| Conformance Class | C |
| addressing | DCP |
| Netload Class | III |
| Specification | V2.3 |
| IRT-network communication | Yes |
| Fast-Start-Up (FSU) | Yes |
| Fast start up time max. | 0,5 s |
| Shared device/input | Yes |
| Number of active connections (IO controller) max. | 2 |

Industrial communication | IO-Link

| | |
|------------------------------|------------------|
| type | 2x Master |
| Port Class | B |
| transmission rate | COM1, COM2, COM3 |
| process data length input | 32 bytes |
| process data length output | 32 bytes |
| Automatic baudrate detection | automatic |

Diagnostics

| | |
|--------------------|----------------------------------|
| Actuator warning | per channel via LED and BUS |
| Cable break | per port |
| Diagnostic via BUS | per module and channel |
| Diagnostic via LED | per module and channel |
| LED display | Ethernet connection/data traffic |
| IO-Link events | Undervoltage supply, No voltage |

Device protection | Electrical

| | |
|-------------------------------------|------|
| Degree of protection (EN IEC 60529) | IP67 |
|-------------------------------------|------|

Mechanical data | Mounting data

| | |
|----------------------------|-----------------------|
| Height | 37 mm |
| Width | 63 mm |
| Depth | 225 mm |
| Suitable for mounting type | 2-hole screw mounting |

Environmental characteristics | Climatic

| | |
|--|------------------|
| Operating temperature min. | -25 °C |
| Operating temperature max. | 55 °C |
| Ambient temperature (storage, transport) | -25 °C ... 70 °C |

Connection type 5

| | |
|-------------------|-------|
| Connection type 1 | X0-X5 |
|-------------------|-------|

| | |
|--------------------------|-------------------|
| Connection type 2 | X6, X7 |
| Connection type 3 | XD1 |
| Connection type 4 | XD2 |
| Connection type 5 | XF1, XF2 |
| Family construction form | M12 |
| No. of poles | 5 |
| Coding | A |
| Gender | female |
| Color contact carrier | black |
| PIN 1 | 24 V DC |
| PIN 2 | DI / DO |
| PIN 3 | 0 V |
| PIN 4 | DI / DO |
| PIN 5 | PE |
| Family construction form | M12 |
| No. of poles | 5 |
| Coding | A |
| Gender | female |
| Color contact carrier | gray |
| PIN 1 | 24 V DC |
| PIN 2 | DI / DO |
| PIN 3 | 0 V |
| PIN 4 | DI / DO / IO-Link |
| PIN 5 | 0 V |
| Family construction form | M12 |
| No. of poles | 5 |
| Coding | L |
| Gender | male |
| Color contact carrier | black |
| PIN 1 | 24 V DC (US) |
| PIN 2 | 0 V |
| PIN 3 | 0 V |
| PIN 4 | 24 V DC (UA) |
| PIN 5 | PE |
| Family construction form | M12 |
| No. of poles | 5 |
| Coding | L |
| Gender | female |
| Color contact carrier | black |
| PIN 1 | 24 V DC (US) |
| PIN 2 | 0 V |
| PIN 3 | 0 V |
| PIN 4 | 24 V DC (UA) |
| PIN 5 | PE |
| Family construction form | M12 |
| No. of poles | 4 |
| Coding | D |
| Gender | female |
| Color contact carrier | black |
| Mounting method | inserted, screwed |
| Tightening torque | 0,6 Nm |
| PIN 1 | TD + |
| PIN 2 | RD + |
| PIN 3 | TD - |

| | |
|-------|------|
| PIN 4 | RD - |
| PIN 5 | n.c. |
