

MVK Pro ME DIO8 IOL8 M12L 5P

Ethernet/IP, compact module, metal

Art.No.: 54611

Weight: 0.92

Country of origin: DE

Model designation: MVK Pro ME DIO8 IOL8 M12L 5P

Digital inputs/outputs

Ethernet 10/100 Mbit/s; M12, D-coded

IO-Link Master V1.1

M12 Power, 5-pole, L-coded

M12, 5-pole, A-coded

Housing fully potted.

Connection cables are in the online shop under "Connection Technology".

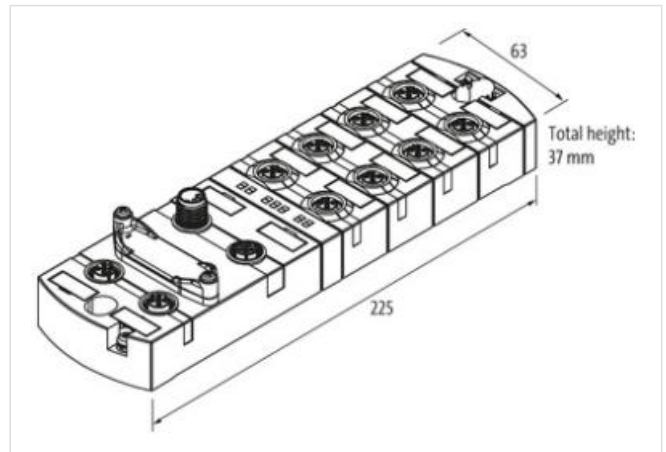
mounting compatible with I/O modules of the MVK series

Link to Product

Illustration



Product may differ from Image



Commercial data

ECLASS-6.0	27242604
ECLASS-6.1	27242604
ECLASS-7.0	27242604
ECLASS-8.0	27242604
ECLASS-9.0	27242604
ECLASS-10.1	27242604
ECLASS-11.1	27242604
ECLASS-12.0	27242604
ETIM-5.0	EC001599
customs tariff number	85389099
customs tariff number	85389099
GTIN	4048879859950
GTIN	4048879859950
Packaging unit	1

Packaging unit 1

Electrical data | Supply

Norm operating voltage	EN 61131-2
Operating voltage US DC	24 V
Operating voltage UA DC	24 V
Total current UA max.	16 A
Total current US max.	16 A

Electrical data | Input

Type input	PNP, for 3-wire sensors or mechanical switches, IO-Link Devices
Overload resistant	yes
Short-circuit protected	yes
Sensor current US per input max.	2 A
Current carrying capacity max.	10 A

Electrical data | Output

Actuator current UA per output max.	2 A
Overload resistant	yes
Short-circuit protected	yes
Output current per pin max.	2 A
Max. current output per port	4 A
Total current outputs max.	10 A

Industrial communication

Web interface yes

Industrial communication | Ethernet/IP

CIP Sync	yes
Composite Test Revision	CT16
DLR (Device Level Ring)	yes
EtherNet/IP addressing	BOOTP, DHCP, DIP switch
Multiple connections	yes

Industrial communication | IO-Link

IO-Link type	8x Master
Port Class	A, B
IO-Link revision ID	V1.1
IO-Link transmission rate	COM1, COM2, COM3
IO-Link process data length input	32 Bytes
IO-Link process data length output	32 Bytes
Automatic baudrate detection	yes

Industrial communication | IIoT functions

Number of sessions / clients OPC UA max.	5
JSON integration	REST-API, MQTT
OPC UA transport	UA TCP, UA Secure Conversation, UA Binary Encoding
Voltage monitoring	yes
Current Monitoring	yes
Publishing interval OPC UA min.	100 ms

Diagnostics

Actuator warning	per channel via LED and BUS
Diagnostic via BUS	per module and channel
Diagnostic via LED	per module and channel
IO-Link events	No voltage, Undervoltage supply
Short circuit diagnosis	yes
LED display	Ethernet connection/data traffic
Cable break	per port

Temperature control	yes
Overload diagnosis	yes
Device protection Electrical	
Degree of protection (EN IEC 60529)	IP67
Mechanical data Mounting data	
Suitable for mounting type	2-hole screw mounting
Height	42 mm
Width	63 mm
Depth	225 mm
Environmental characteristics Climatic	
Operating temperature min.	-40 °C
Operating temperature max.	70 °C
Storage temperature min.	-40 °C
Storage temperature max.	80 °C
Connection type 4	
Connection type 1	X1-X7
Connection type 2	XD1
Connection type 3	XD2
Connection type 4	XF1, XF2
Family construction form	M12
Gender	female
Color contact carrier	gray
Coding	A
No. of poles	5
PIN 1	24 V DC
PIN 2	DI / DO
PIN 3	0 V
PIN 4	DI / DO / IO-Link
PIN 5	0 V
Family construction form	M12
Gender	male
Color contact carrier	black
Coding	L
No. of poles	5
PIN 1	24 V DC (US)
PIN 2	0 V
PIN 3	0 V
PIN 4	24 V DC (UA)
PIN 5	PE
Family construction form	M12
Gender	female
Color contact carrier	black
Coding	L
No. of poles	5
PIN 1	24 V DC (US)
PIN 2	0 V
PIN 3	0 V
PIN 4	24 V DC (UA)
PIN 5	PE
Family construction form	M12
Gender	female
Color contact carrier	green
Coding	D

No. of poles	4
PIN 1	TD +
PIN 2	RD +
PIN 3	TD -
PIN 4	RD -