

**MVK Pro MPNIO DIO8 IOL8 M12L 5P**

PROFINET, compact module, metal

Art.No.: 54610

Weight: 0.92

Country of origin: DE

Model designation: MVK Pro MPNIO DIO8 IOL8 M12L 5P

Digital inputs/outputs

Ethernet 10/100 Mbit/s; M12, D-coded

IO-Link Master V1.1

M12 Power, 5-pole, L-coded

M12, 5-pole, A-coded

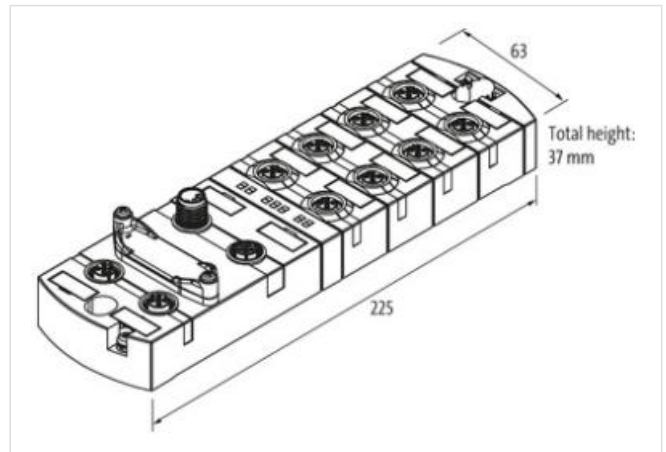
Housing fully potted.

Connection cables are in the online shop under "Connection Technology".

mounting compatible with I/O modules of the MVK series

[Link to Product](#)**Illustration**

Product may differ from Image

**Commercial data**

ECLASS-6.0	27242604
ECLASS-6.1	27242604
ECLASS-7.0	27242604
ECLASS-8.0	27242604
ECLASS-9.0	27242604
ECLASS-10.1	27242604
ECLASS-11.1	27242604
ECLASS-12.0	27242604
ETIM-5.0	EC001599
customs tariff number	85389099
customs tariff number	85389099
GTIN	4048879859851
GTIN	4048879859851
Packaging unit	1

The information in this Product-PDF has been compiled with the utmost care.

Liability for the correctness completeness and topicality of the information is restricted to gross negligence. Version: 2025-04-30

Murrelektronik GmbH | Grabenstraße 29 | 71570 Oppenweiler | Fon +49 (71 91) 47-0 | Fax +49 (71 91) 47-491000 | shop@murrelektronik.com | shop.murrelektronik.com

Packaging unit 1

**Electrical data | Supply**

Norm operating voltage	EN 61131-2
Operating voltage US DC	24 V
Operating voltage UA DC	24 V
Total current UA max.	16 A
Total current US max.	16 A

**Electrical data | Input**

Type input	PNP, for 3-wire sensors or mechanical switches, IO-Link Devices
Overload resistant	yes
Short-circuit protected	yes
Sensor current US per input max.	2 A
Current carrying capacity max.	10 A

**Electrical data | Output**

Actuator current UA per output max.	2 A
Overload resistant	yes
Short-circuit protected	yes
Output current per pin max.	2 A
Max. current output per port	4 A
Total current outputs max.	10 A

**Industrial communication**

Supported protocol	PROFINET
Web interface	yes

**Industrial communication | Profinet**

Number of active connections (IO controller) max.	2
IRT (network communication)	yes
PROFINET Netload Class	III
PROFINET addressing	DCP
PROFINET conformance class	C
PROFINET specification	V2.3
Shared device/input	yes

**Industrial communication | IO-Link**

IO-Link type	8x Master
Port Class	A, B
IO-Link revision ID	V1.1
IO-Link transmission rate	COM1, COM2, COM3
IO-Link process data length input	32 Bytes
IO-Link process data length output	32 Bytes
Automatic baudrate detection	yes

**Industrial communication | IIoT functions**

Number of sessions / clients OPC UA max.	5
JSON integration	REST-API, MQTT
OPC UA transport	UA TCP, UA Secure Conversation, UA Binary Encoding
Voltage monitoring	yes
Current Monitoring	yes
Publishing interval OPC UA min.	100 ms

**Diagnostics**

Actuator warning	per channel via LED and BUS
Diagnostic via BUS	per module and channel
Diagnostic via LED	per module and channel

IO-Link events	No voltage, Undervoltage supply
Short circuit diagnosis	yes
LED display	Ethernet connection/data traffic
Cable break	per port
Temperature control	yes
Overload diagnosis	yes

#### Device protection | Electrical

Degree of protection (EN IEC 60529)	IP67
-------------------------------------	------

#### Mechanical data | Mounting data

Suitable for mounting type	2-hole screw mounting
Height	42 mm
Width	63 mm
Depth	225 mm

#### Environmental characteristics | Climatic

Operating temperature min.	-40 °C
Operating temperature max.	70 °C
Storage temperature min.	-40 °C
Storage temperature max.	80 °C

#### Connection type 4

Connection type 1	X0-X7
Connection type 2	XD1
Connection type 3	XD2
Connection type 4	XF1, XF2
Family construction form	M12
Gender	female
Color contact carrier	gray
Coding	A
No. of poles	5
PIN 1	24 V DC
PIN 2	DI / DO
PIN 3	0 V
PIN 4	DI / DO / IO-Link
PIN 5	0 V
Family construction form	M12
Gender	male
Color contact carrier	gray
Coding	L
No. of poles	5
PIN 1	24 V DC (US)
PIN 2	0 V
PIN 3	0 V
PIN 4	24 V DC (UA)
PIN 5	PE
Family construction form	M12
Gender	female
Color contact carrier	gray
Coding	L
No. of poles	5
PIN 1	24 V DC (US)
PIN 2	0 V
PIN 3	0 V
PIN 4	24 V DC (UA)

PIN 5	FE
Family construction form	M12
Gender	female
Color contact carrier	green
Coding	D
No. of poles	4
PIN 1	TD +
PIN 2	RD +
PIN 3	TD -
PIN 4	RD -