

MIRO 6.2 OPTO-COUPLER MODULE

IN: 230 VAC/DC - OUT: 253 VAC/DC / 0,5 A

Art.No.: 52573

Weight: 0.038

Country of origin: CZ

Model designation: OPTOKOPPLER MIRO 6,2

Screw terminals

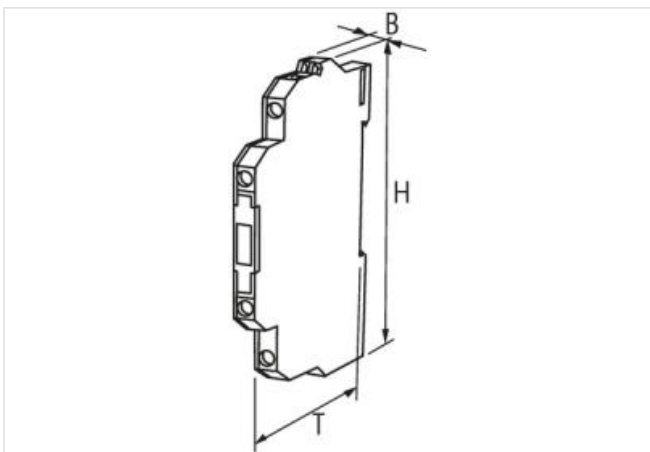
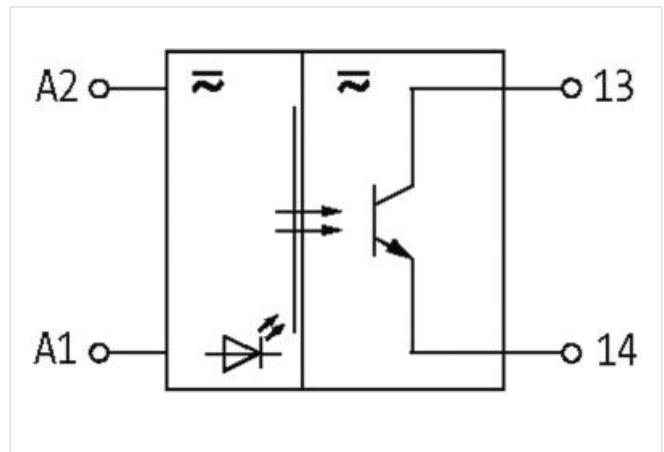
Multi voltage output

Transistor 0.5 A

24...230 V AC/DC

[Link to Product](#)

Illustration



Product may differ from Image



Commercial data

ECLASS-6.0	27371604
ECLASS-6.1	27371604
ECLASS-7.0	27371604

ECLASS-8.0	27371604
ECLASS-9.0	27371604
ECLASS-10.1	27371604
ECLASS-11.1	27371604
ECLASS-12.0	27371604
ETIM-5.0	EC001504
customs tariff number	85414900
customs tariff number	85414900
GTIN	4048879026710
GTIN	4048879026710
Packaging unit	1
Packaging unit	1

Electrical data | Input

Input voltage AC min.	12 V
Input voltage AC max.	230 V
Input voltage OFF AC min.	0 V
Input voltage OFF AC max.	5 V
Input voltage DC min.	12 V
Input voltage DC max.	230 V
Input voltage OFF DC min.	0 V
Input voltage OFF DC max.	5 V
Input current max.	5 mA

Electrical data | Output

Switch off delay max.	15 ms
Switch on delay max.	5 ms
Quiescent current OFF max.	0,02 mA
Switching frequency max.	2,5 Hz
Voltage switching AC min.	10 V
Switching voltage AC max.	230 V
Voltage switching DC min.	10 V
Switching voltage DC max.	230 V
Switching current min.	1 mA
Switching current max.	0,5 A
Voltage drop AC max.	2,6 V
Voltage drop DC max.	2,6 V

Diagnostics

Status indication LED	yellow
-----------------------	--------

Device protection | Electrical

Rated insulation voltage	2750 V
--------------------------	--------

Device protection | Media

Flame resistance	flame retardant
------------------	-----------------

Mechanical data | Material data

Material housing	Plastic
Color housing	black

Mechanical data | Mounting data

Mounting method	geschnappt
Suitable for mounting type	mounting rail, (EN 60715)
Height	78 mm
Width	6,2 mm
Depth	70 mm

Environmental characteristics | Climatic

Operating temperature min.	-20 °C
----------------------------	--------

Operating temperature max.	60 °C
----------------------------	-------

Connection type 4

Connection	Screw terminals SK
------------	--------------------

Family construction form	terminal
--------------------------	----------

Gender	female
--------	--------

Color contact carrier	black
-----------------------	-------

No. of poles	1
--------------	---

PIN 1	13
-------	----

Connection	Screw terminals SK
------------	--------------------

Family construction form	terminal
--------------------------	----------

Gender	female
--------	--------

Color contact carrier	black
-----------------------	-------

No. of poles	1
--------------	---

PIN 1	14
-------	----

Connection	Screw terminals SK
------------	--------------------

Family construction form	terminal
--------------------------	----------

Gender	female
--------	--------

Color contact carrier	black
-----------------------	-------

No. of poles	1
--------------	---

PIN 1	A 1
-------	-----

Connection	Screw terminals SK
------------	--------------------

Family construction form	terminal
--------------------------	----------

Gender	female
--------	--------

Color contact carrier	black
-----------------------	-------

No. of poles	1
--------------	---

PIN 1	A 2
-------	-----